

Product dimensions

> TEX - guide with shaped raceways in stainless steel

TEX rail in stainless steel

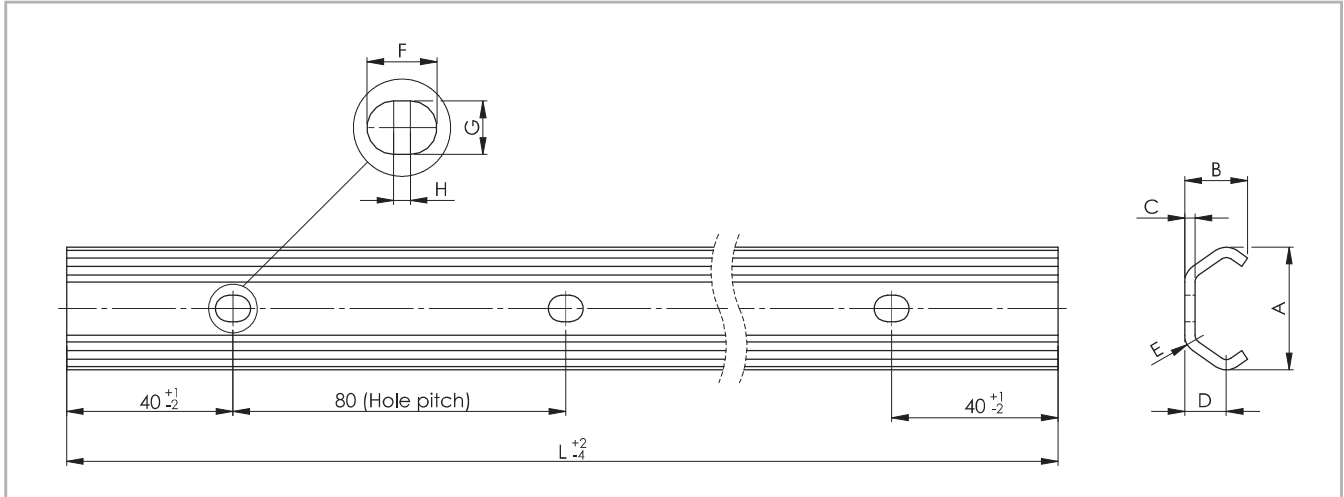


Fig. 10

Rail type	Size	A [mm]	B [mm]	C [mm]	D [mm]	E [mm]	F [mm]	G [mm]	H [mm]	Holes for screws	Weight [kg/m]
TEX	20	19,2	10	2	7	3	7	4,5	2	M4	0,47
	26	26	14	2,5	9,5	4	6,5	6,5	*	M5	0,80
	30	29,5	15	2,5	10	4,5	8,4	6,4	2	M5	0,90
	40	39,5	21	3	13	6	9	9	*	M8	1,55
	45	46,4	24	4	15,5	6,5	11	9	2	M8	2,29

* Cylindrical holes.

Tab. 3

Rail type	Size	Standard length L [mm]
TEX	20 30 45	160 - 240 - 320 - 400 - 480 - 560 - 640 - 720 - 800 - 880 - 960 - 1040 - 1120 - 1200 - 1280 - 1360 - 1440 - 1520 - 1600 - 1680 - 1760 - 1840 - 1920 - 2000 - 2080 - 2160 - 2240 - 2320 - 2400 - 2480 - 2560 - 2640 - 2720 - 2800 - 2880 - 2960 - 3040 - 3120
	26	160 - 240 - 320 - 400 - 480 - 560 - 640 - 720 - 800 - 880 - 960 - 1040 - 1120 - 1200 - 1280 - 1360 - 440 - 1520 - 1600 - 1680 - 1760 - 1840 - 1920 - 2000 - 2080 - 2160 - 2240 - 2320 - 2400 - 2480 - 2560 - 2640 - 2720 - 2800 - 2880 - 2960 - 3040 - 3120 - 3200 - 3280 - 3360 - 3440 - 3520 - 3600 - 3680 - 3760 - 3840 - 3920 - 4000
	40	320 - 400 - 480 - 560 - 640 - 720 - 800 - 880 - 960 - 1040 - 1120 - 1200 - 1280 - 1360 - 440 - 1520 - 1600 - 1680 - 1760 - 1840 - 1920 - 2000 - 2080 - 2160 - 2240 - 2320 - 2400 - 2480 - 2560 - 2640 - 2720 - 2800 - 2880 - 2960 - 3040 - 3120 - 3200 - 3280 - 3360 - 3440 - 3520 - 3600 - 3680 - 3760 - 3840 - 3920 - 4000

Please specify hole pattern separately
 Special lengths or pitches available upon request, please contact the sales department
 The highlighted rail lengths are available from stock

Tab. 4

> **TEX-UEx: Mounted sliders and rails**

Guide with shaped raceways

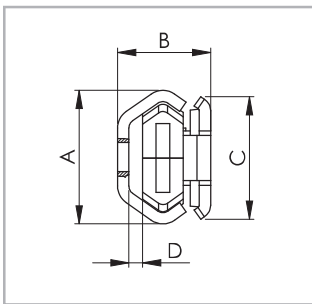


Fig. 16

Version 1
(Slider with compact body)

Configuration	A [mm]	B [mm]	C [mm]	D [mm]
TEX-20 – CEX20-80	19.2	16	18	2.5
TEX-30 – CEX30-88	29.5	20.5	27	3.5
TEX-45 – CEX45-150	46.4	31	40	5

Tab. 11

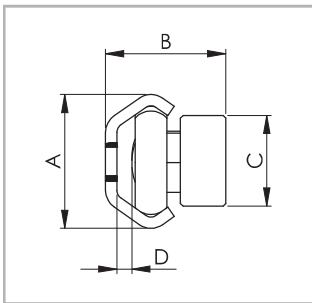


Fig. 17

Version 2
(Slider with solid body)

Configuration	A [mm]	B [mm]	C [mm]	D [mm]
TEX-20 – CEX20-60	19.2	17.8	10	2.6
TEX-30 – CEX30-80	29.5	26.5	20	3.3
TEX-45 – CEX45-120	46.4	38	25	5.1

Tab. 12

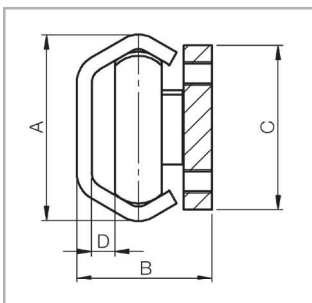


Fig. 18

Version 3
(Slider with compact body)

Configuration	A [mm]	B [mm]	C [mm]	D [mm]
TEX-26 – CEX26-80	26	22	20	3.7
TEX-40 – CEX40-135	39.5	28.65	35	5

Tab. 13

Guide with flat raceways

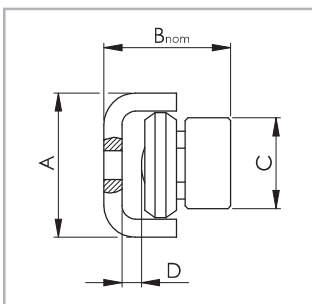


Fig. 19

Version 4
(Slider with solid body)

Configuration	A [mm]	B _{nom} [mm]	C [mm]	D [mm]
UEX-20 – CEXU20-60	20.5	18.25 ± 0.6	10	3.4
UEX-30 – CEXU30-80	31.8	27.95 ± 1.0	20	4.05
UEX-45 – CEXU45-120	44.8	37.25 ± 1.75	25	6.35

Tab. 14