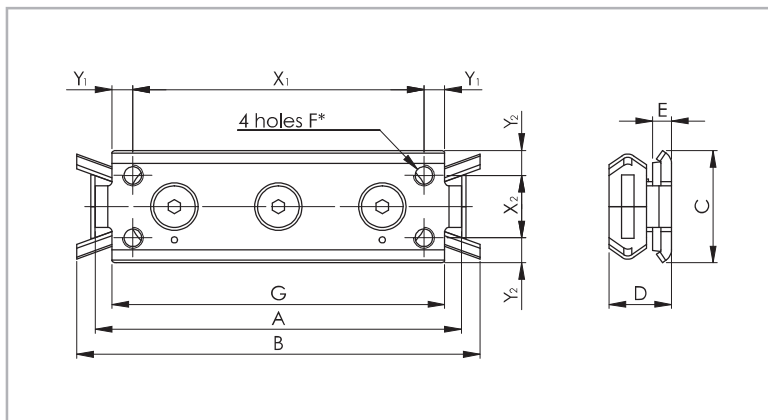


**CES slider for rail TES 20, 30, 45**

Version 1 (with compact body for fixed rails)



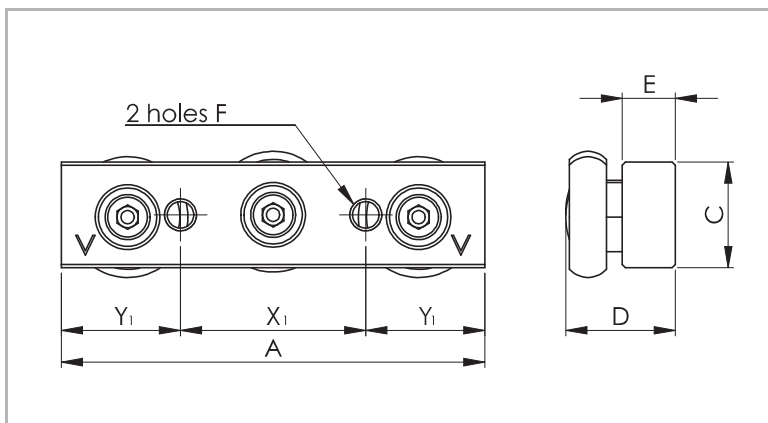
\* For size 20: 2 M5 holes on the centreline with distance X<sub>1</sub>

Fig. 21

Slider type	Size	A [mm]	B [mm]	C [mm]	D [mm]	E [mm]	F	G [mm]	X <sub>1</sub> [mm]	Y <sub>1</sub> [mm]	X <sub>2</sub> [mm]	Y <sub>2</sub> [mm]	Weight [kg]
CES20-80	20	80	90	18	11.5	5.5	M5	71	60	5.5	-	9	0.05
CES30-88	30	88	97	27	15	4.5	M5	80	70	5	15	6	0.11
CES45-150	45	150	160	40	22	4	M6	135	120	7.5	23	8.5	0.40

Tab. 17

Version 2 (with solid body for fixed rails)



Slider version with wipers on request

Fig. 22

Slider type	Size	A [mm]	C [mm]	D [mm]	E [mm]	F	X <sub>1</sub> [mm]	Y <sub>1</sub> [mm]	Weight [kg]
CES20-60	20	60	10	13	6	M5	20	20	0.04
CES30-80	30	80	20	20.7	10	M6	35	22.5	0.17
CES45-120	45	120	25	28.9	12	M8	55	32.5	0.47

Tab. 18

CES slider for rail TES 26, 40

Version 3 (with compact body for fixed rails)

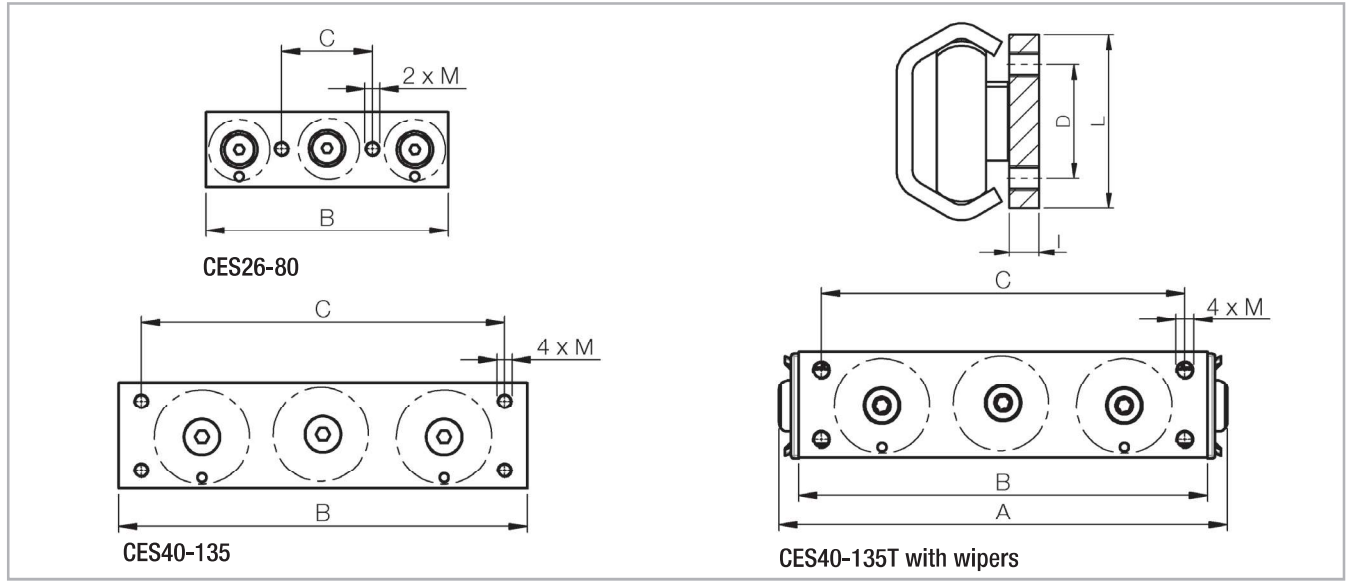


Fig. 23

Slider type	I [mm]	L [mm]	M	A [mm]	B [mm]	C [mm]	D [mm]	Weight [kg]
CES26-80	4	20	M5	-	80	30	-	0.095
CES40-135	6	35	M6	-	135	120	23	0.430
CES40-135T				148				0.450

Tab. 19

## > Load capacities

### Fixed bearings TEX, TES, TEN

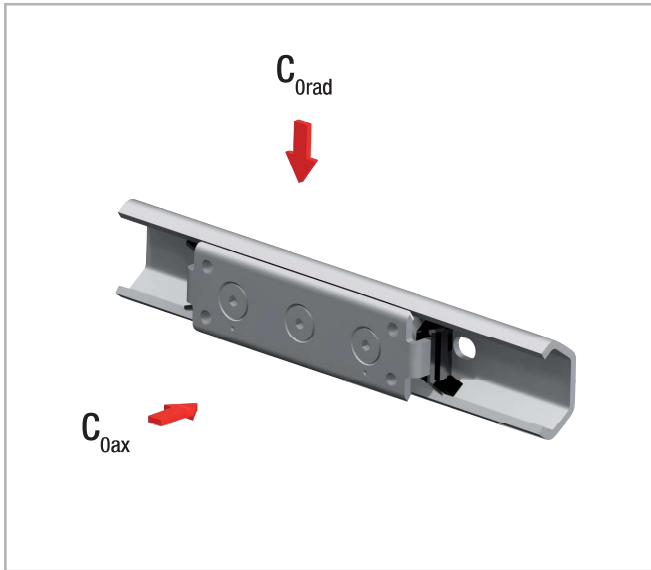


Fig. 8

Rail type	Configuration	$C_{Orad}$ [N]	$C_{0ax}$ [N]
TEX	TEX-20 – CEX20	300	170
	TEX-26 – CEX-26	800	400
	TEX-30 – CEX30	800	400
	TEX-40 – CEX-40	1600	800
	TEX-45 – CEX45	1600	860
TES	TES-20 – CES20	326	185
	TES-26 – CES-26	800	400
	TES-30 – CES30	870	435
	TES-40 – CES-40	1600	800
	TES-45 – CES45	1740	935
TEN	TEN-26 - CEN26-92	1120	380
	TEN-26 - CEN26-142	1520	540
	TEN-30 - CEN30-92	1200	420
	TEN-30 - CEN30-142	1620	580
	TEN-40 - CEN40-135	2400	820
	TEN-40 - CEN40-195	3240	1150

Resulting moment loads must be absorbed through the use of two sliders

Tab. 1

### Compensating bearings UEX, UES, UEN

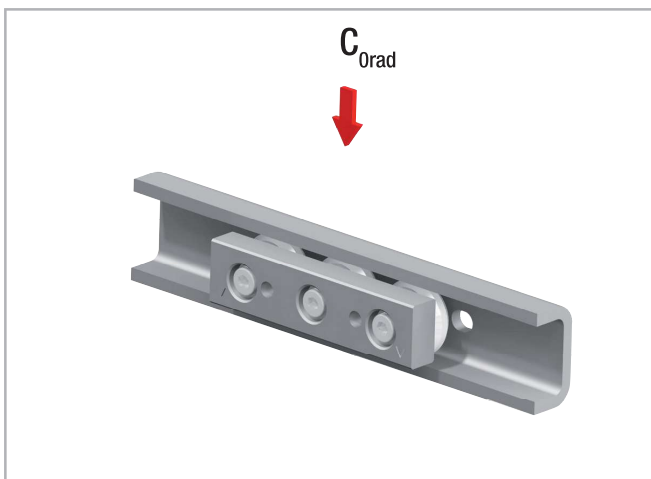


Fig. 9

Rail type	Configuration	$C_{Orad}$ [N]
UEX	UEX-20 – CEXU20	300
	UEX-30 – CEXU30	800
	UEX-45 – CEXU45	1600
UES	UES-20 – CESU20	326
	UES-30 – CESU30	870
	UES-45 – CESU45	1740
UEN	UEN-40 - CEN40-135	1850
	UEN-40 - CEN40-195	2460

Tab. 2