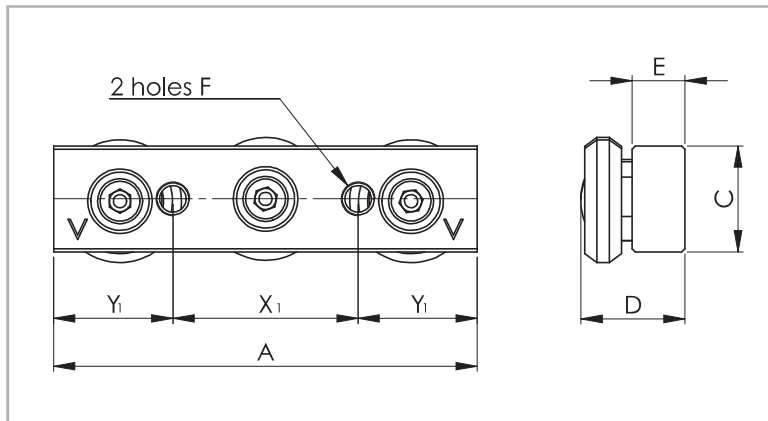


CESU slider for UES rail

Version 4 (with solid body for compensating rail)



Slider version with wipers on request

Fig. 25

Slider type	Size	A [mm]	C [mm]	D [mm]	E [mm]	F [mm]	X <sub>1</sub> [mm]	Y <sub>1</sub> [mm]	Weight [kg]
CESU20-60	20	60	10	11.85	6	M5	20	20	0.04
CESU30-80	30	80	20	19.9	10	M6	35	22.5	0.16
CESU45-120	45	120	25	26.4	12	M8	55	32.5	0.45

Tab. 22