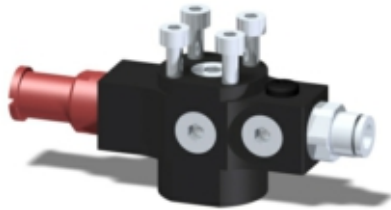


VGS™ 3010 VGS3010.AB.00.BA



- ▶ Patented COAX® technology
- ▶ VGS™ allows easy installation and flexible positioning with several mounting options.
- ▶ VGS™ is compatible with any suction cup with G3/8" male fitting from Piab's assortment. More information about a chosen suction cup or other available suction cups for a specific application can be found at; www.piab.com
- ▶ Pi cartridge chosen for high performance at low feed pressure.

Technical data

Description	Unit	Value
Feed pressure, max.	Mpa	0.7
Noise level range	dBA	60-74
Temperature range	°C	10-80
Weight	g	161
Material	-	PP, PA, NBR, AL, SS

Vacuum flow COAX® cartridge MINI Pi12-2

Feed pressure*	Air consumption	Vacuum flow (NI/s) at different vacuum levels (-kPa)										Max vacuum
		0	10	20	30	40	50	60	70	80	-kPa	
0.34	0.44	0.68	0.60	0.44	0.27	0.19	0.14	0.10	0.06	0.03	90	

*For vacuum flows at other feed pressures, see COAX® cartridge data sheets. *Feed pressure tolerance, +/- 0.01 MPa

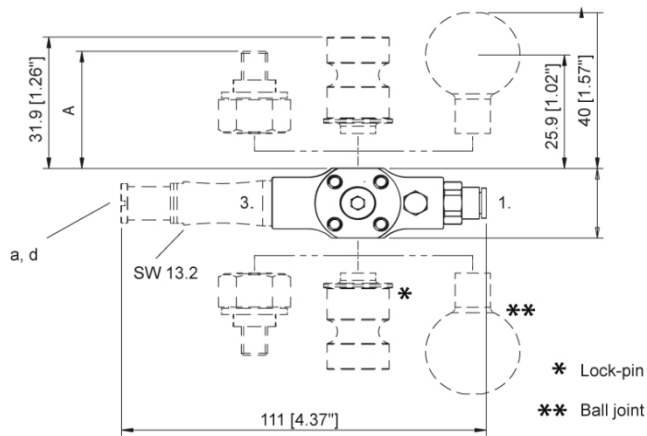
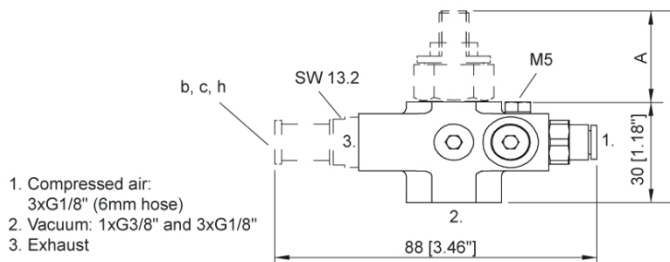
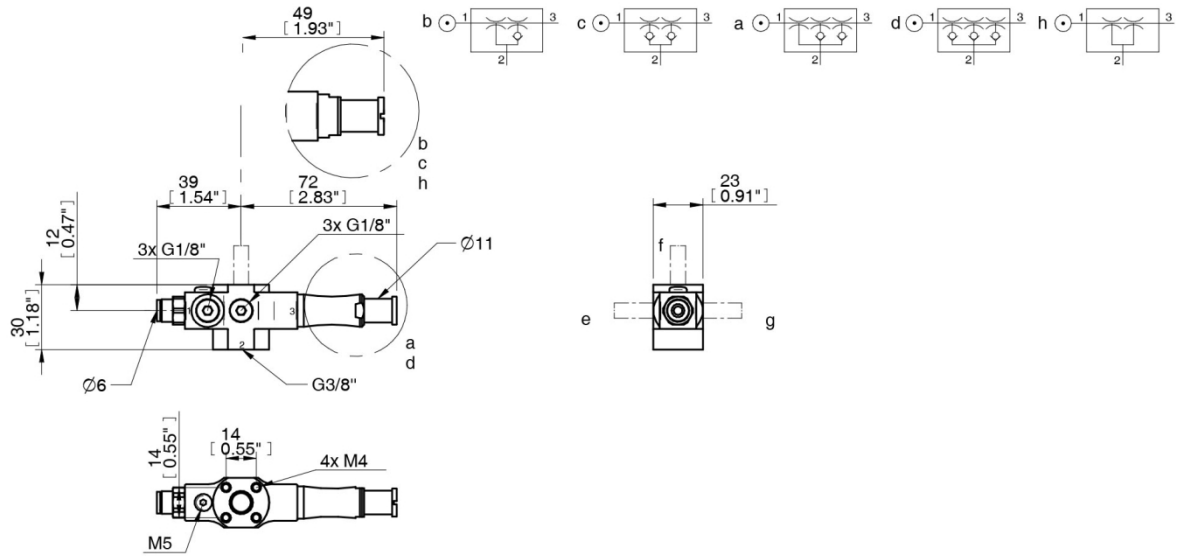
Evacuation time COAX® cartridge MINI Pi12-2

Feed pressure*	Air consumption	Evacuation time (s/l) to reach different vacuum levels (-kPa)									Max vacuum
		10	20	30	40	50	60	70	80	-kPa	
0.314	0.44	0.17	0.32	0.58	1.1	1.8	2.7	4.0	6.4	90	

*For evacuation times at other feed pressures, see COAX® cartridge data sheets. *Feed pressure tolerance, +/- 0.01 MPa

Dimensional drawing

b = COAX® cartridge MINI Pi12-2



Mounting	A (mm)
M8 / 16	16
M6 / 22	22
M8 / 27	27

Ordering information

Description	Product code
VGS™3010, COAX® cartridge MINI Pi12-2, 4x M4 top, flush mount, No suction cup	VGS3010.AB.00.BA