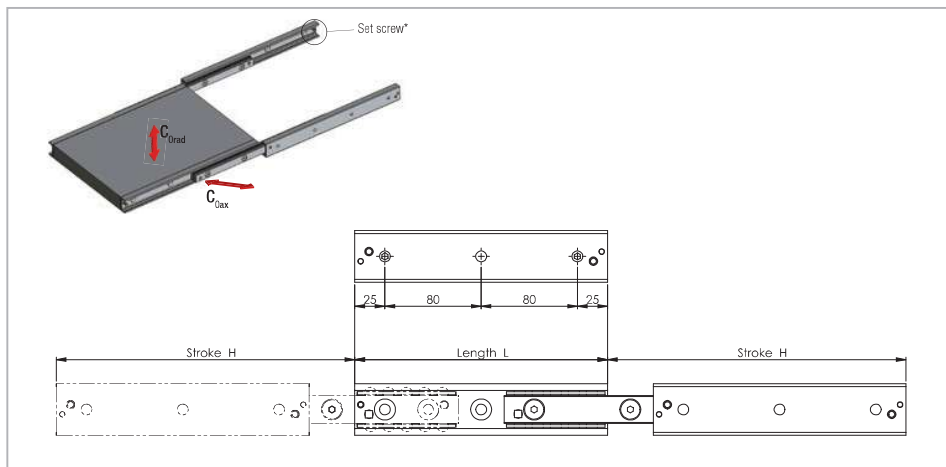


> DBN



\* Remove the set screw to reach all the fixing holes. See also assembly instructions on page TR-45L.

Fig. 57

Type	Size	Length L [mm]	Stroke H [mm]	Load capacity for a pair of rails		No. of holes
				C <sub>rad</sub> [N]	C <sub>max</sub> [N]	
DBN	22	130	152	238	166	2
		210	222	562	392	3
		290	308	472	472	4
		370	392	372	372	5
		450	462	324	324	6
		530	548	272	272	7
		610	632	234	234	8
		690	702	216	216	9
		770	788	190	190	10

Tab. 42

Type	Size	Length L [mm]	Stroke H [mm]	Load capacity for a pair of rails		No. of holes
				C <sub>rad</sub> [N]	C <sub>max</sub> [N]	
DBN	28	130	148	470	328	2
		210	232	864	604	3
		290	296	1244	1074	4
		370	380	964	964	5
		450	464	786	786	6
		530	548	664	664	7
		610	633	572	572	8
		690	717	504	504	9
		770	801	452	452	10
		850	866	426	426	11
		930	950	388	388	12
		1010	1034	356	356	13
		1090	1118	328	328	14
		1170	1202	304	304	15

Tab. 43

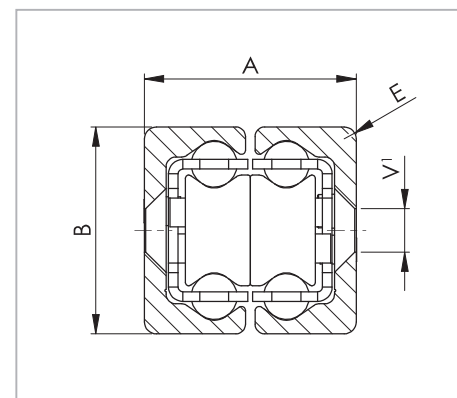
Type	Size	Length L [mm]	Stroke H [mm]	Load capacity for a pair of rails		No. of holes
				C <sub>rad</sub> [N]	C <sub>max</sub> [N]	
DBN	35	210	254	804	562	3
		290	318	1334	1120	4
		370	406	1044	1044	5
		450	494	858	858	6
		530	558	788	788	7
		610	646	676	676	8
		690	734	594	594	9
		770	798	558	558	10
		850	886	500	500	11
		930	974	454	454	12
		1010	1038	434	434	13
		1090	1126	398	398	14
		1170	1214	366	366	15
		1250	1278	354	354	16
		1330	1366	330	330	17
		1410	1454	308	308	18
		1490	1518	298	298	19

Tab. 44

Type	Size	Length L [mm]	Stroke H [mm]	Load capacity for a pair of rails		No. of holes
				C <sub>rad</sub> [N]	C <sub>max</sub> [N]	
DBN	43	210	246	1210	848	3
		290	316	2228	1560	4
		370	416	2600	1820	5
		450	486	2662	2558	6
		530	556	2386	2386	7
		610	626	2164	2164	8
		690	726	1824	1824	9
		770	796	1690	1690	10
		850	866	1576	1576	11
		930	966	1386	1386	12
		1010	1036	1308	1308	13
		1090	1106	1238	1238	14
		1170	1206	1118	1118	15
		1250	1276	1066	1066	16
		1330	1376	976	976	17
		1410	1446	938	938	18
		1490	1516	900	900	19
		1570	1586	868	868	20
		1650	1686	806	806	21
		1730	1756	780	780	22
		1810	1856	730	730	23
		1890	1926	708	708	24
		1970	2026	668	668	25

Tab. 45

> DBN



\* Fixing holes (V) for countersunk head screws according to DIN 7991

Fig. 58

Type	Size	Cross-section				Weight per single guide [kg/m]
		A [mm]	B [mm]	E [mm]	V	
DBN	22	22	22	3	M4	2,64
	28	26	28	1	M5	4,04
	35	34	35	2	M6	6,10
	43	44	43	2,5	M8	10,50

Tab. 46

Please note the technical information "Double-sided stroke" on page TR-42