

# piSOFTGRIP® 50-2

## SG.S52DS70.SDS70.F.G14M.00



- ▶ Cost effective, vacuum-driven soft gripping solution.
- ▶ Comes with two or three “silicone fingers” depending on model.
- ▶ Suitable for sensitive and lightweight objects of odd geometries and/or an unusual surface.
- ▶ Sealed vacuum cavity, making it dust safe.
- ▶ Quick start up - as easy to control and install as a suction cup. Pinch force adjusted by vacuum level.
- ▶ Adding little extra weight to application.
- ▶ Small size, perfect for multi-mode applications.
- ▶ The silicone material is detectable and approved for direct contact with food (in accordance with FDA 21 CFR and EU 1935/2004 regulations).
- ▶ Resistant to high and low temperatures.
- ▶ Compliant with regular Piab piGRIP® fittings.

### Pinch force (object diameter 35mm)

| Description  | 20 -kpa | 40 -kpa | 60 -kpa |
|--------------|---------|---------|---------|
| Pinch forces | 0,8 N   | 1,7 N   | 2,4 N   |

### Technical data

| Description                     | Unit            | Value |
|---------------------------------|-----------------|-------|
| Recommended maximum object size | mm              | 53.5  |
| Recommended maximum payload     | g               | 150   |
| Number of fingers               | -               | 2     |
| Recommended vacuum level        | -kPa            | 15-60 |
| Weight                          | g               | 50    |
| Internal volume                 | cm <sup>3</sup> | 19.6  |

### Material specification

| Description | Material | Colour      | Temperature range | ShoreA | Detectable |
|-------------|----------|-------------|-------------------|--------|------------|
| Claw        | Silicone | Blue        | -40-200 °C        | 70°    | Yes        |
| Support     | TPE      | Transparent | -20-60/100* °C    | 80°    | No         |
| Fitting     | Al, NBR  | Black       | -20-90 °C         | -      | No         |

\*Max. temperature short term contact, <10 seconds and 50% intermittence, ambient temperature 15-30° C [59-86°F], mechanical properties will start to degrade.

### Fitting specification

| Description    | Value     |
|----------------|-----------|
| Fitting size   | 1/4"      |
| Fitting style  | Male      |
| Fitting type   | G-Thread  |
| Fitting option | No Option |

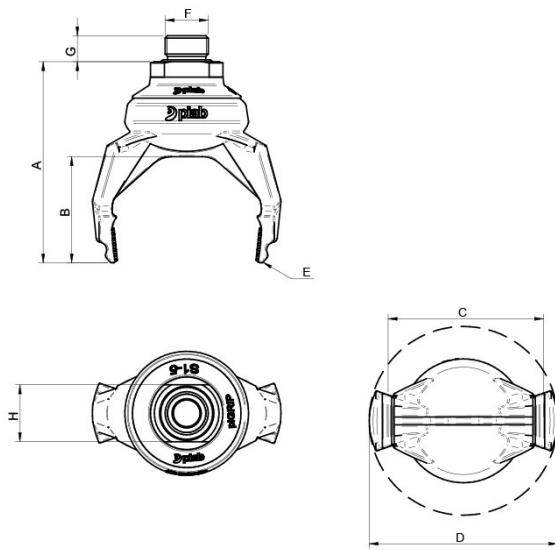
### Material resistance – Silicone, SIL

| Description        | Value     |
|--------------------|-----------|
| Alcohol            | Good      |
| Concentrated Acids | Poor      |
| Ethanol            | N/A       |
| Hydrolysis         | Good      |
| Methanol           | N/A       |
| Oil                | Fair      |
| Oxidation          | Excellent |
| Petrol             | Fair      |
| Wear Resistance    | Excellent |
| Weather & Ozone    | Excellent |

#### Values specified in data sheet are tested at:

- Room temperature (20°C [68°F] ± 3°C [5.5°F]).
- Standard atmosphere (101.3 [29.9 inHg] ± 1.0 kPa [0.3 inHg]).
- Relative humidity 20-70%.
- Compressed air quality, DIN ISO 8573-1 class 4.

### Dimensional drawing



| Product code | Description                         | Unit      | Value       |
|--------------|-------------------------------------|-----------|-------------|
| A            | Building height (including fitting) | mm [inch] | 77.7 [3.06] |
| B            | Depth                               | mm [inch] | 41 [1.61]   |
| C            | Inner diameter                      | mm [inch] | 53,6 [2.11] |
| D            | Max diameter of softgripper         | mm [inch] | 73 [2.87]   |
| E            | Number of fingers                   | -         | 2           |
| F            | Thread                              | -         | G1/4"       |
| G            | Thread/insert length                | mm [inch] | 10 [0.39]   |
| H            | Key grip                            | mm        | SW 22       |

### Ordering information

| Description   | Product code               |
|---|----------------------------|
| piSOFTGRIP®, Solid, size 50 mm, 2 fingers, Detectable Silicone 70° Shore A, Short, Detectable Silicone 70° Shore A, G-Thread, 1/4", Male, No Option | SG.S52DS70.SDS70.F.G14M.00 |

### Ordering information, spare parts

| Description       | Art. No |
|-------------------|---------|
| piSOFTGRIP 5-2 DS | 0231193 |

QR code link to mounting instructions.

