

piINLINE® plus EBR, MICRO Ti05-2x2



- ▶ Ultra-lightweight decentralized ejector family with integrated release function, suitable for pick and place applications such as press to press transfer in automotive.
- ▶ Efficient and patented COAX® ejector with lower air consumption and faster response as compared to corresponding competitive products.
- ▶ Compressed air and vacuum ports inline.
- ▶ Easy to install directly on the vacuum hose, close to suction cup.
- ▶ Release function based on Exhaust Block principle (EBR), suitable for fast cycle speeds.

Description	Unit	Value
Feed pressure range	Mpa	0.45-0.7
Feed pressure optimum	Mpa	0.5
Temperature range	°C	0-50
Weight	g	62
Material	-	PA, SS, TPE, NBR, HNBR, CuZn, Al
Noise level	dBA	69
Connection, compressed air	-	ø8 push-in connector(s)
Compressed air pilot release	-	ø8 push-in connector(s)
Connection, vacuum	-	ø8 (5/18 (5/16)) push-in connector(s)
Vacuum/ sensing port	-	Yes 6mm
Blow-Off flow	NI/s	0.64

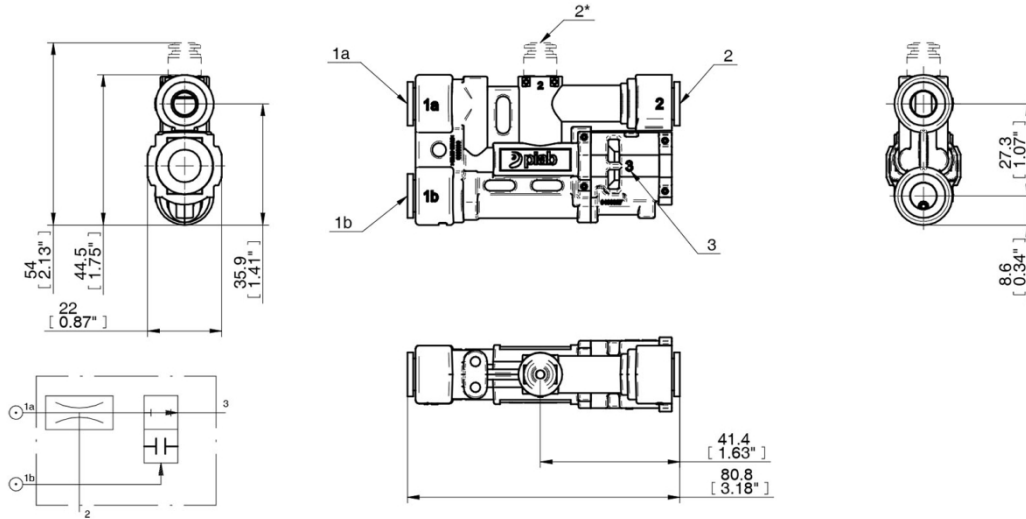
Feed pressure pump / nozzle MPa	Air consumption NI/s	Vacuum flow (NI/s) at different vacuum levels (-kPa)										Max vacuum -kPa
		0	10	20	30	40	50	60	70	80		
0.5	0.64	0.62	0.56	0.48	0.38	0.26	0.14	0.06	0.02	0.004	81	

Feed pressure pump / nozzle MPa	Air consumption NI/s	Evacuation time (s/l) to reach different vacuum levels (-kPa)								Max vacuum -kPa
		10	20	30	40	50	60	70	80	
0.5	0.64	0.17	0.36	0.6	0.9	1.4	2.4	4.9	13.3	81

Values specified in data sheet are tested at:

- Room temperature (20°C [68°F] ± 3°C [5.5°F]).
- Standard atmosphere (101.3 [29.9 inHg] ± 1.0 kPa [0.3 inHg]).
- Relative humidity 0-100%.
- Compressed air quality, DIN ISO 8573-1 class 4.

1a	ø8 (5/16)
1b	ø8 (5/16)
2	ø8 (5/16)
2*	ø6



Description	Product code
<p>piINLINE® plus, EBR, Ti05-2 Extra high vacuum flow, Double, ø8 push-in connector(s), ø8 push-in connector(s), ø8 (5/18 (5/16)) push-in connector(s), Yes 6mm, No holder, No holder, No holder,</p>	<p>PIL.E.T.2.88.8.6.XXX</p>