

piINLINE® plus AQR, MICRO Ti05-2x2



- ▶ Ultra-lightweight decentralized ejector family with integrated release function, suitable for pick and place applications such as press to press transfer in automotive.
- ▶ Efficient and patented COAX® ejector with lower air consumption and faster response as compared to corresponding competitive products.
- ▶ Compressed air and vacuum ports inline.
- ▶ Easy to install directly on the vacuum hose, close to suction cup.
- ▶ Energy friendly and fast release function based on an automatic and Atmospheric Quick Release.
- ▶ No air/energy used to release cups and no extra valve needed to control release.
- ▶ Patented Inline design with automatic release function (AQR)

Description	Unit	Value
Feed pressure range	Mpa	0.45-0.7
Feed pressure optimum	Mpa	0.5
Temperature range	°C	0-50
Weight	g	49
Material	-	PA, SS, TPE, NBR, HNBR, CuZn, Al
Noise level	dBA	65
Connection, compressed air	-	ø6 push-in connector(s)
Connection, vacuum	-	ø6 push-in connector(s)
Vacuum/ sensing port		Yes 6mm

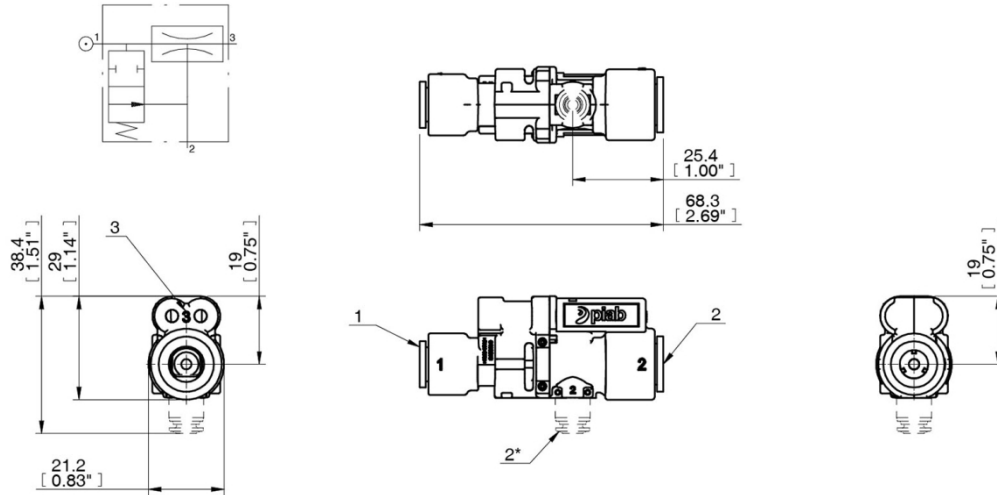
Feed pressure pump / nozzle MPa	Air consumption NI/s	Vacuum flow (NI/s) at different vacuum levels (-kPa)									Max vacuum -kPa
		0	10	20	30	40	50	60	70	80	
0.5	0.64	0.62	0.56	0.48	0.38	0.26	0.14	0.06	0.02	0.004	81

Feed pressure pump / nozzle MPa	Air consumption NI/s	Evacuation time (s/l) to reach different vacuum levels (-kPa)								Max vacuum -kPa
		10	20	30	40	50	60	70	80	
0.5	0.64	0.17	0.36	0.6	0.9	1.4	2.4	4.9	13.3	81

Values specified in data sheet are tested at:

- Room temperature (20°C [68°F] ± 3°C [5.5°F]).
- Standard atmosphere (101.3 [29.9 inHg] ± 1.0 kPa [0.3 inHg]).
- Relative humidity 0-100%.
- Compressed air quality, DIN ISO 8573-1 class 4.

1	ø6
2	ø6
2*	ø6



Description	Product code
<p>piINLINE® plus, AQR, Ti05-2 Extra high vacuum flow, Double, ø6 push-in connector(s), No pilot air connection, ø6 push-in connector(s), Yes 6mm, No holder, No holder, No holder,</p>	<p>PIL.A.T.2.6X.6.6.XXX</p>