

## piCOMPACT®10X Ti05-2 x2



- ▶ Configurable vacuum ejector based on COAX® technology with integrated controls.
- ▶ Optimized design for high reliability and fast cycle times.
- ▶ High Speed valves with adaptive PWM (Pulse Width Modulation) to reduce heat generation and further improve reliability.
- ▶ Slim package (10mm width) and lightweight thanks to high-performance plastic parts.
- ▶ Larger flow and evacuation capacity vs. the other MICRO cartridges.
- ▶ Dirt tolerant cartridge design.
- ▶ Energy Saving (ES) function.
- ▶ ACM - Automatic Condition Monitoring (ES mode active or not).
- ▶ ALD -Automatic Level Determination (ES shut-off level and Hyst).
- ▶ Vacuum non-return valve included.
- ▶ Userfriendly GUI (Graphical User interface), no risk for setting up part present signal, ES level and hysteresis wrong.
- ▶ Cleanable and replaceable filter element
- ▶ Low noise level

### Technical data

Description	Unit	Value
Feed pressure, max.	MPa	0.7
Temperature range	°C	-10-50
Total weight	g	109
Material	-	PA, NBR, SS, TPE, POM, CuZn, PVC, PC, LCP
Noise level range 1-8 channels	dBA	66-78

Connection, compressed air	-	ø6 push-in connector(s)
Connection, vacuum	-	ø6 push-in connector(s)
Supply voltage	VDC	24 (21.6 – 26.4)
Electrical input/output	-	PNP
Electrical connection	-	Connector M8, 6 pole male
Switch output 1, max	mA	100
Analog output	V	1-5

### Technical data, valve module

Description	Unit	Value
Current consumption	mA	100/63
Manual override	-	Yes, non-locking push style
Function, Vacuum / Blow-off	-	NC vacuum + NC blow off
Response time	ms	2.8
Pressure drop	MPa	0.03
Blow-off flow at 0.5 MPa	NI/s	0-1.01

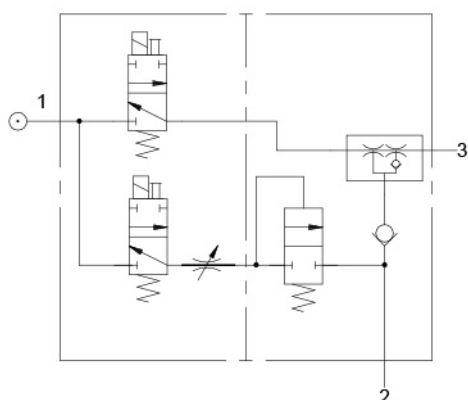
### Vacuum flow

Feed pressure pump / nozzle  MPa	Air Consumption per pump/nozzle NI/s	Vacuum flow (NI/s) at different vacuum levels (-kPa)								Max vacuum  -kPa
		0	10	20	30	40	50	60	70	
0.50 / 0.40	0.46	0.53	0.48	0.37	0.27	0.18	0.13	0.090	0.046	84

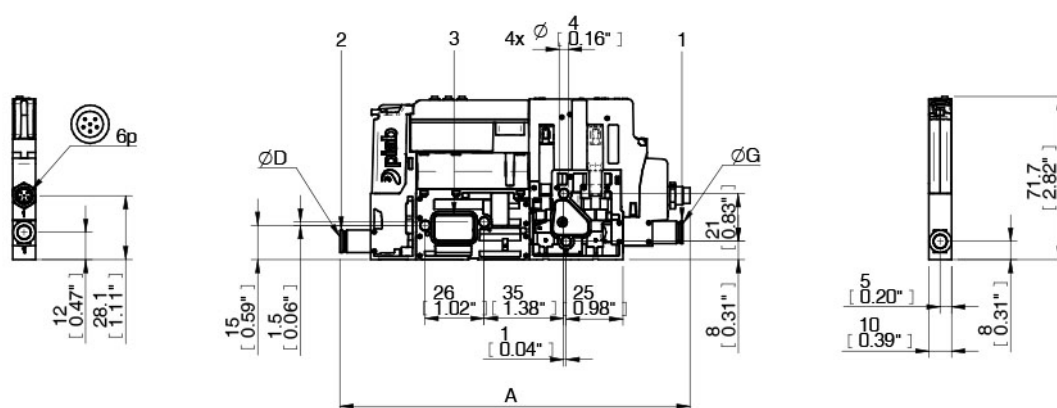
### Evacuation time

Feed pressure pump / nozzle  MPa	Air Consumption per pump/nozzle NI/s	Evacuation time (ms) of 5 ml to reach different vacuum levels (-kPa)									Max vacuum  -kPa
		10	20	30	40	50	60	70	80	84	
0.50 / 0.40	0.46	5.9	8.4	10.6	15.8	22.3	31	43	71	101	84

## Dimensional drawing



A	154.1 [6.07"]
D	∅6
G	0
N	0



## Ordering information

Description	Product code
piCOMPACT®10X Ti05-2 x2 Extra high vacuum flow (micro), MICRO (14-19 NI/min), Double, Standard, Electrical ES, vac and blow off, , , With non-return valve, Display, analog and digital output, 1 vacuum port, ∅6 push-in connector(s), 1 channel, No split, ∅6 push-in connector(s), Ejector(s) for individual mounts, NC vacuum + NC blow off, PNP, M8 6p connector(s)	PC.T.MC2.S.AAA.S16.1X.6.EI.CCPA

## Ordering information, accessories

Description	Art. No.
Filter element FM10-50, 5 pcs	0201747
Cable L=4m, M8, 6p Torsional PUR	0203013
Cable L=5m, M8 6p PUR	0204975
Y-Cable L=0.5m, M8 6-pin fem, 2xM12 5-pin male PUR	0209898
Central exhaust kit piCOMPACT®10x/piPUMP10x	0202067
Silencer kit piCOMPACT®10x/piPUMP10x	0202068
Mounting bracket	0200735

### Values specified in data sheet are tested at:

- Room temperature (20°C [68°F] ± 3°C [5.5°F]).
- Standard atmosphere (101.3 [29.9 inHg] ± 1.0 kPa [0.3 inHg]).
- Relative humidity 0-100%.
- Compressed air quality, DIN ISO 8573-1 class 4.