

## FSCM- Flexible suction cup mount



- ▶ Simplifies mounting of suction cups in tooling and fixtures for the automotive body assembly section.
- ▶ Simplified installation that prevents loose screws thanks to captive washers holding clamp together during mounting.
- ▶ Easy installation and positioning of cup thanks to compressible rubber stoppers that bring a little clamp force when positioning the rod/suction cup before final fastening.
- ▶ High locking force after final fastening due to a non-anodized clamp ball.
- ▶ Universal joint with fixed mount to C-C 44mm, widely used with tooling systems such as the Euro gripper system that can easily retrofit a similar competitor's product using the same C-C dimensions.
- ▶ Modular and configurable rod and fittings are permanently glued together using O-ring seal for 100% air tightness.
- ▶ High grip force due to intentional coarse surface texture of the rod.

### Technical data

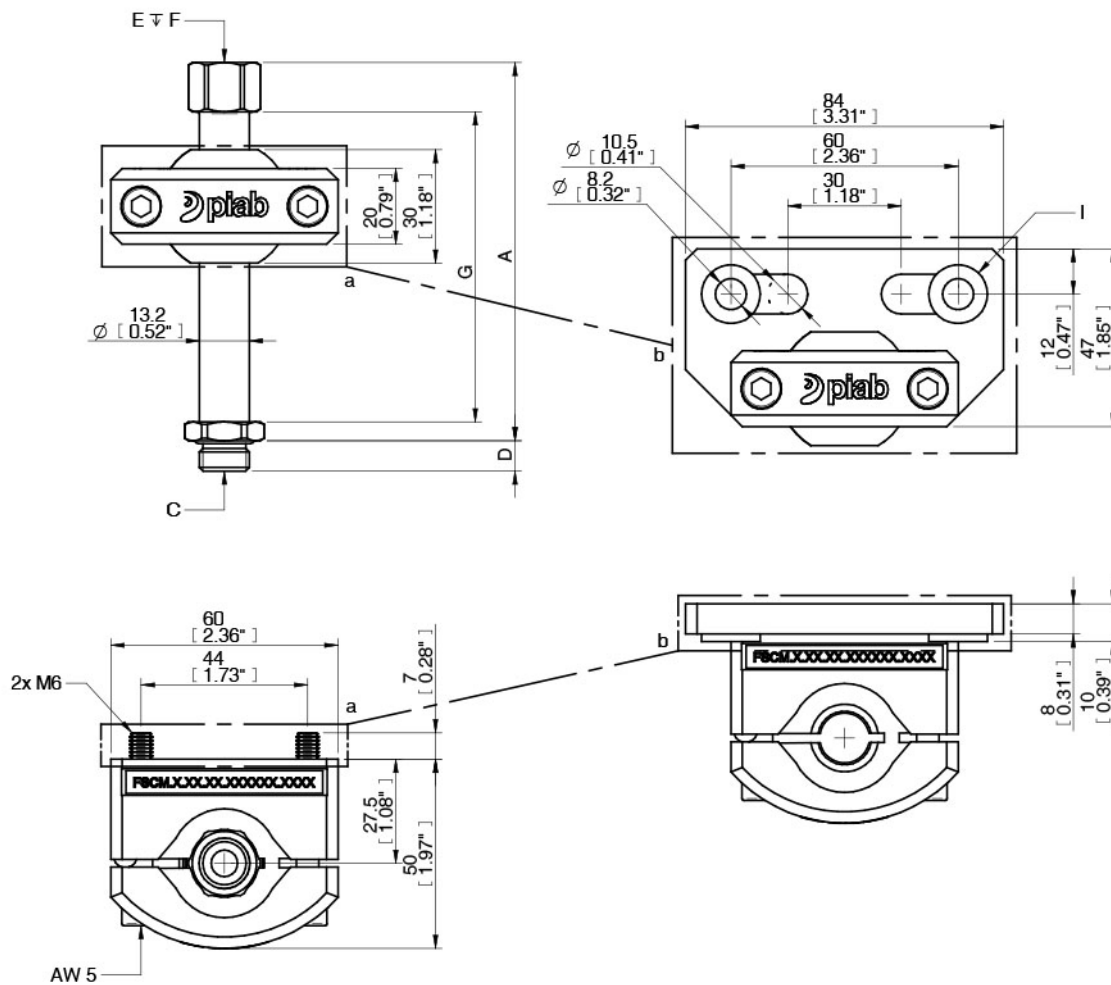
Description	Unit	Value
Temperature range	°C	-30-70
Weight	g	243
Material	-	Al, NBR, Steel
Load vertical max	N	200
Load torque max	Nm	20

### Dimensional drawing

#### Dimensions

A	190 [7.48"]
C	G3/8" male
D	10 [0.39"]
E	G1/4" female
F	10 [0.39"]
G	172 [6.77"]
I	Reducing washer (included)

Please see the dimensional drawing for your specific product: **a** / Universal joint, C-C 44mm



### Ordering information

Description	Product code
FSCM, Universal joint, C-C 44mm, 1/4" size rod, 185mm total length, G-Thread 3/8" Male, G-Thread 1/4" Female	FSCM.U.14.185.G38M.G14F