



Series E06 | Split crossbar along the outer radius
Series Z06 | Split crossbar along the inner radius

Standard	Split crossbar along outer radius	Split crossbar along inner radius	<i>Bi</i> [mm]	<i>Ba</i> [mm]	<i>R</i> Bending radii [mm]	Weight [kg/m]
E06.10	.R.0 ¹⁾	Z06.10 .R.0 ¹⁾	10	16,5	018 028 038	≈ 0,14
E06.16	.R.0 ¹⁾	Z06.16 .R.0 ¹⁾	16	22,5	018 028 038	≈ 0,16
E06.20	.R.0	Z06.20 .R.0	20	26,5	018 028 038	≈ 0,18

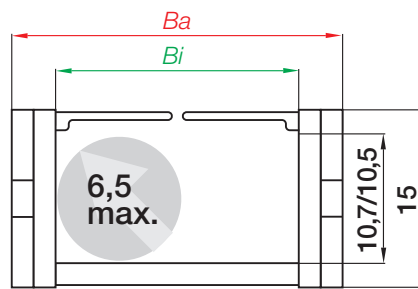
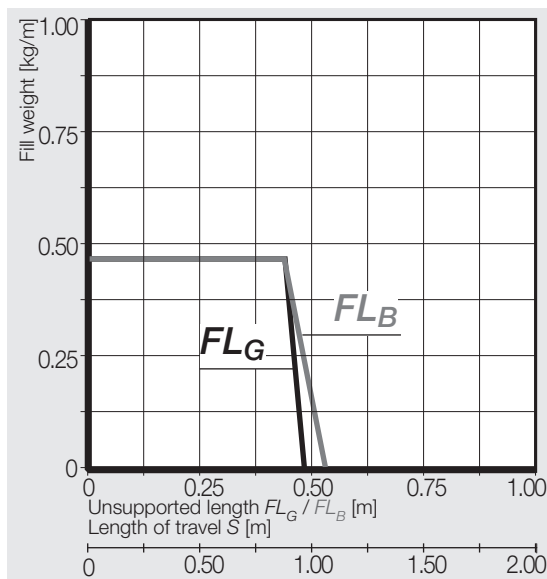
1) Crossbars do not overlap. Gap = 5,5 mm

Special solution with opening gap 3,5 mm: Part No. E06.10.018.0.S3

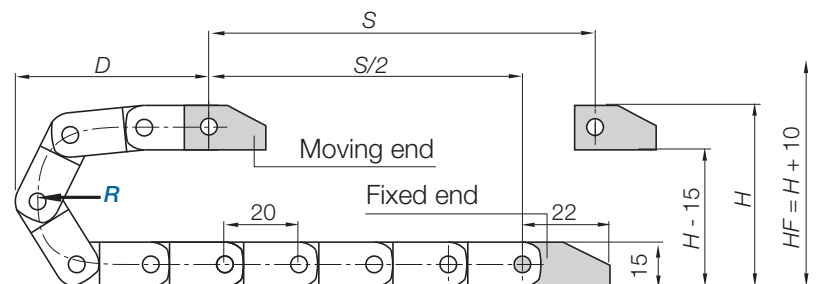
Supplement Part No. with required radius (*R*). Example: E06.10.028.0

Ba: pin dimension approx. 0,2 - 0,4 mm wider.

Dimensions



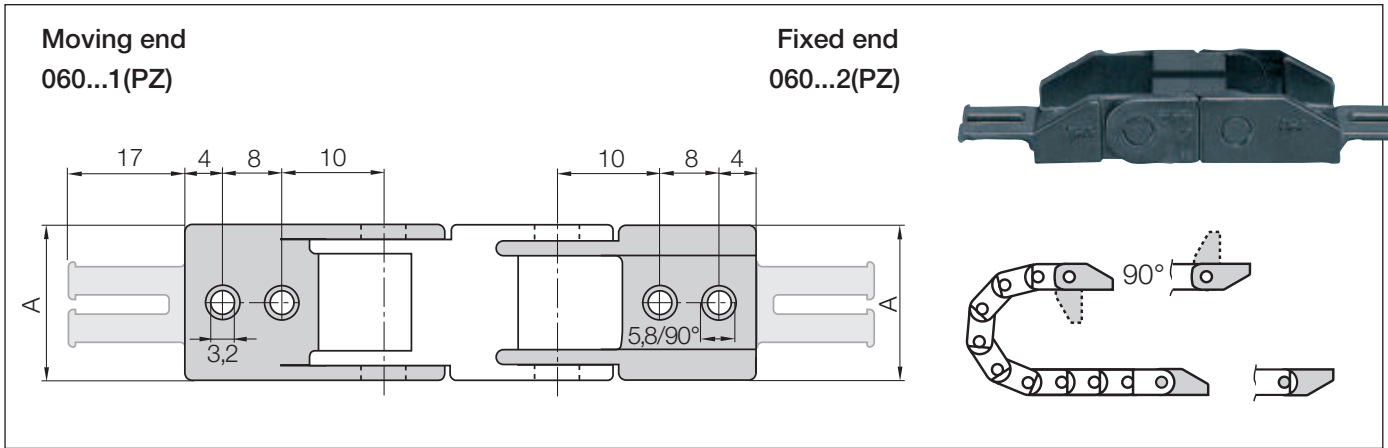
- Inner height
- Version E 10,7
- Version Z 10,5 mm
- Pitch 20 mm/link
- Links/m 50 (1000 mm)
- Chain length $S/2 + K$



<i>R</i>	018	028	038
<i>H</i>	51	71	91
<i>D</i>	56	66	76
<i>K</i>	100	130	160

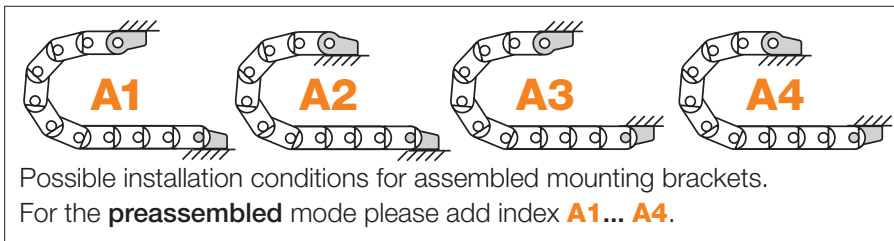
The required clearance height: $H_F = H + 10$ mm (with 0,2 kg/m fill weight)

Mounting brackets, polymer one-piece | locking | More features ► www.igus.eu/E06



Width Index	Standard	Part No. full set with tiewrap plates	Part No. full set without tiewrap plates	Dim. A [mm]	Number of teeth
.10.	►	060.10.12PZ	060.10.12	16,5	1
.16.	►	060.16.12PZ	060.16.12	22,5	2
.20.	►	060.20.12PZ	060.20.12	27,0	2

Material mounting bracket - igumid G, temperature: -40° up to +120° C, VDE 0304 IIC UL94-HB



Part No. structure

060.10. 12 PZ A1 A...must be indicated on preassembled configurations
 With strain relief tiewrap plates
Full set
 Mounting bracket for selected width index