



Series E03 | Split crossbar along the outer radius

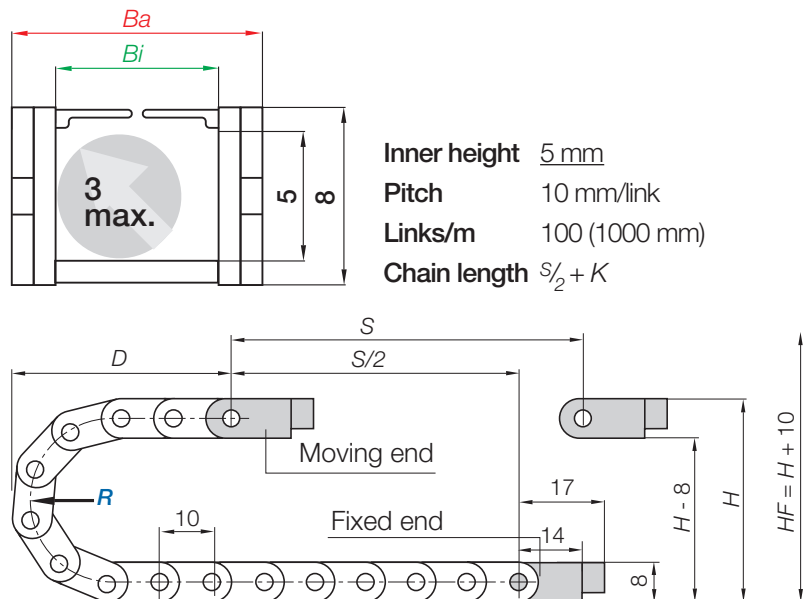
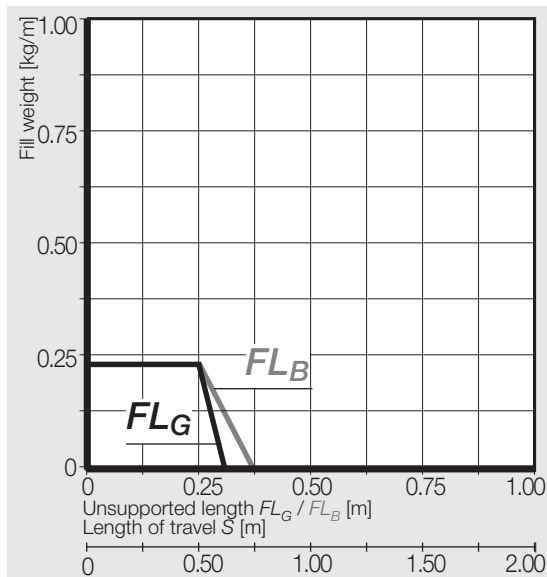
Split crossbar along outer radius	<i>Bi</i> [mm]	<i>Ba</i> [mm]	<i>R</i> Bending radii [mm]	Weight [kg/m]
E03.05 .R.0 ¹⁾	5	8,7	010 012 015 018 028	≈ 0,03
E03.07 .R.0 ²⁾	7	10,7	010 012 015 018 028	≈ 0,04
E03.10 .R.0 ²⁾	10	13,7	010 012 015 018 028	≈ 0,05

1) Crossbars do not overlap. Gap = 1 mm / 2) Crossbars do not overlap. Gap = 2 mm

Supplement Part No. with required radius (*R*). Example: E03.05.028.0

Ba: pin dimension approx. 0,1 - 0,3 mm wider.

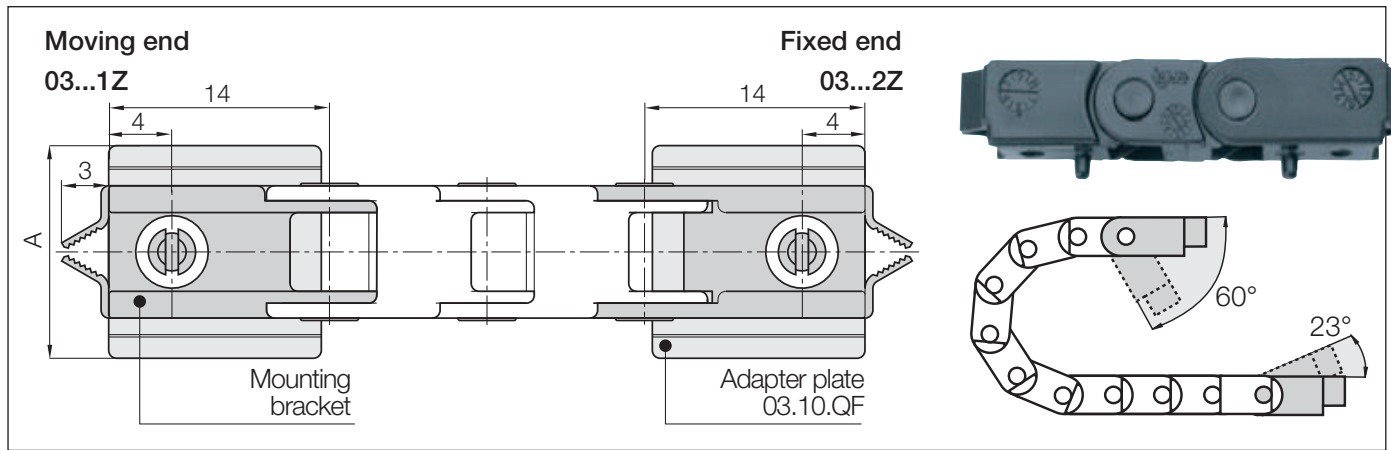
Dimensions



<i>R</i>	010	012	015	018	028
<i>H</i>	28	32	38	44	64
<i>D</i>	29	31	34	37	47
<i>K</i>	55	60	70	80	110

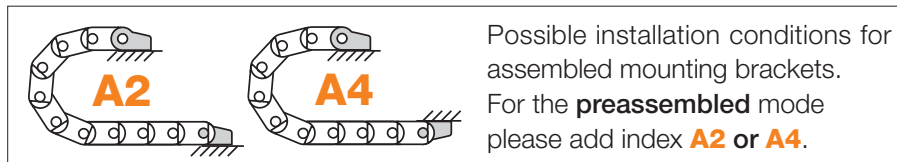
The required clearance height: $H_F = H + 10$ mm (with 0,1 kg/m fill weight)

Mounting brackets, polymer one-piece | pivoting



Width Index	Part No. full set	Dim. A [mm]
.05. ▶	03.05. 12Z	8,7
.07. ▶	03.07. 12Z	10,7
.10. ▶	03.10. 12Z	13,7

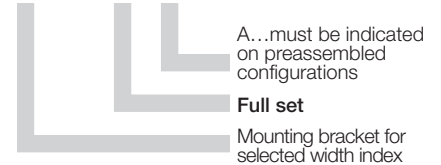
Material mounting bracket - igumid G, temperature: -40° up to +120° C, VDE 0304 IIC UL94-HB



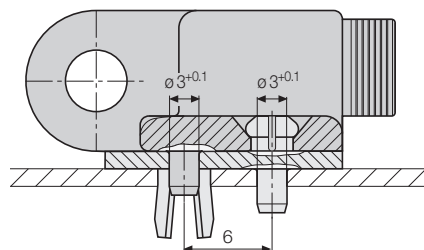
Possible installation conditions for assembled mounting brackets. For the **preassembled** mode please add index **A2** or **A4**.

Part No. structure

03.05. 12Z **A2**



Additional Features



Adapter plate for rapid installation: for all sizes of Part No. 03.10.QF

The adapter has broken edges so that it can be adapted to the respective e-chain® width. It is not absolutely necessary when attaching the mounting brackets. The mounting brackets can also be screwed on without the adapter plate.