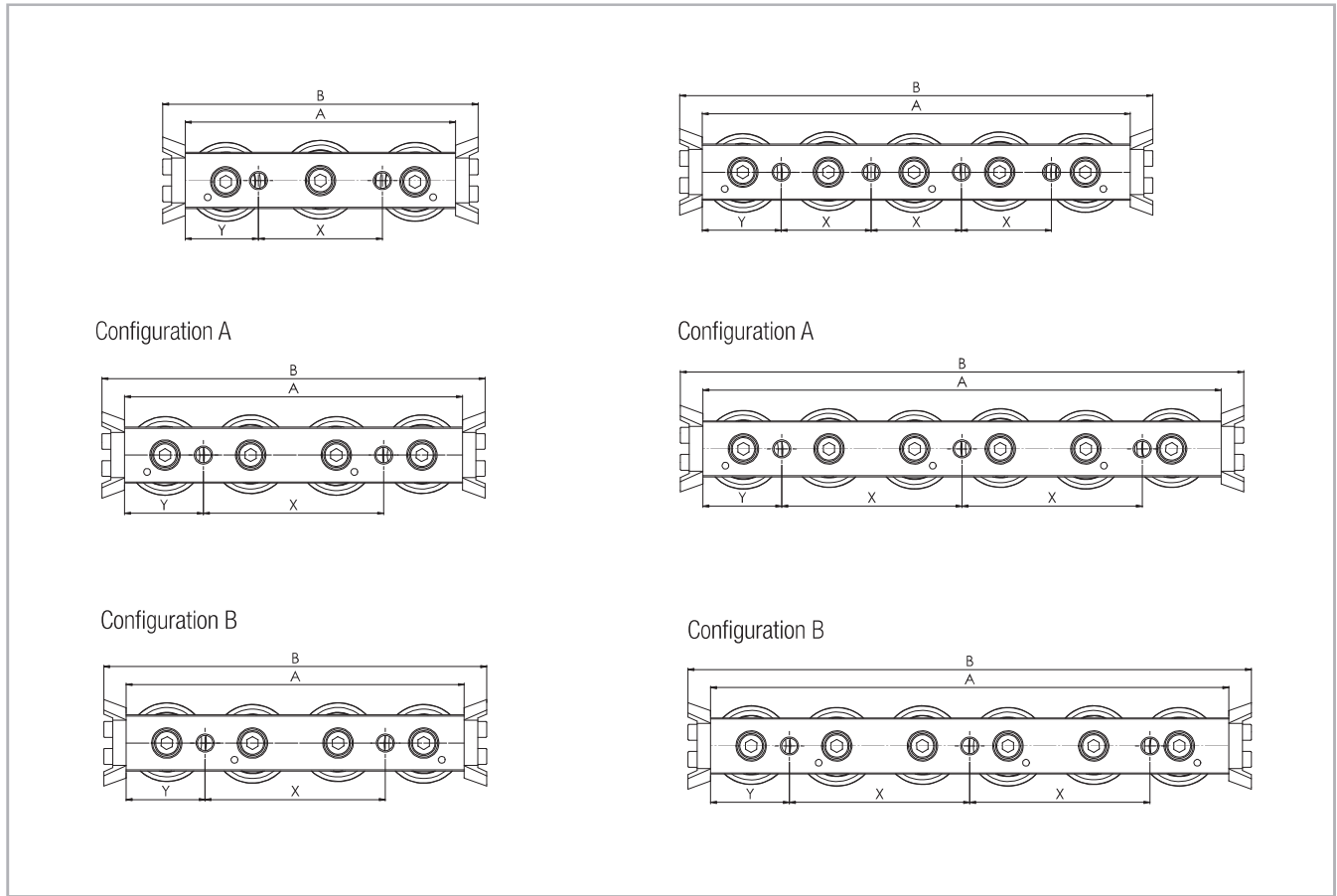


> C-version slider

CS-series



Representation of slider with wiper

Fig. 33

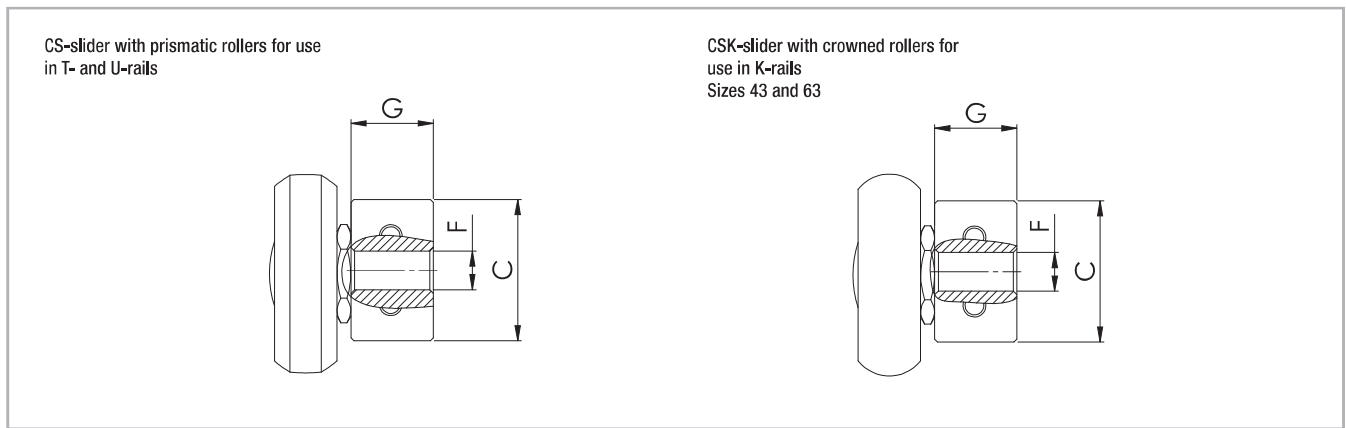


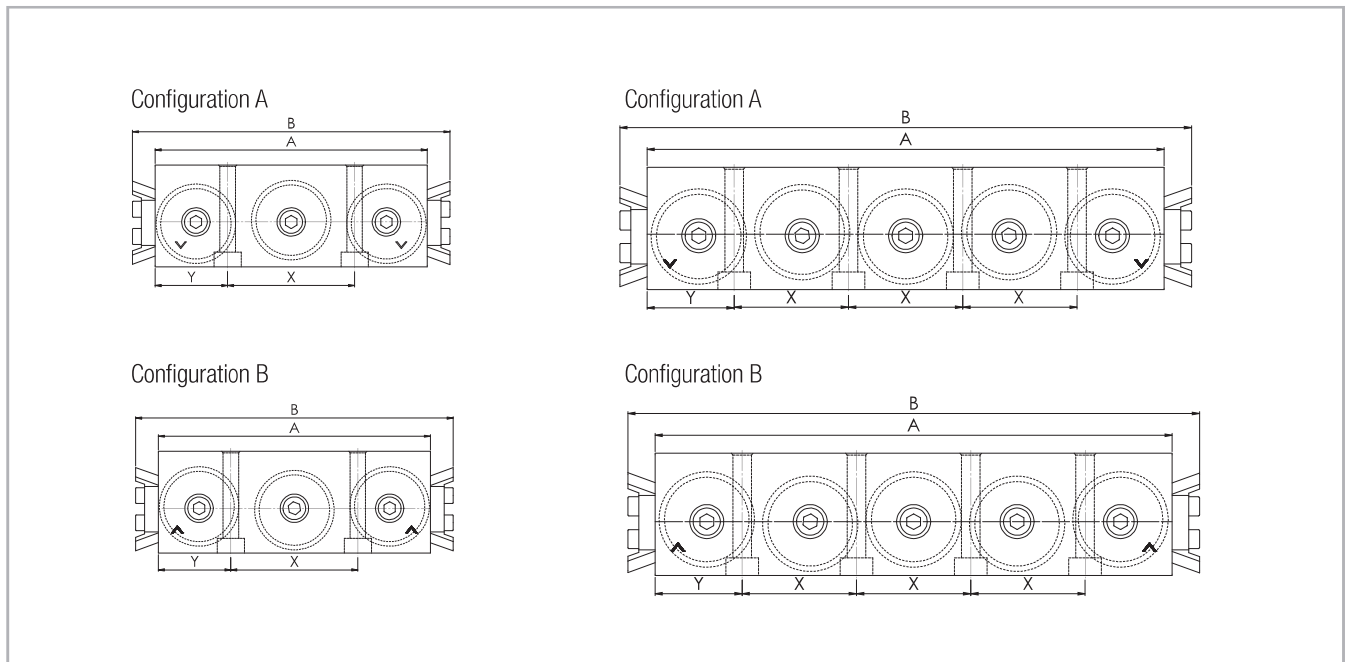
Fig. 34

Type	Size	A [mm]	B [mm]	C [mm]	G [mm]	F [mm]	X [mm]	Y [mm]	No. of holes	Roller type used*	Number of Rollers
CS	18	60	76	9.5	5.7	M5	20	20	2	CPA18-CPN18	3
		80	96	9.5	5.7	M5	40	20	2	CPA18	4
		100	116	9.5	5.7	M5	20	20	4	CPA18	5
		120	136	9.5	5.7	M5	40	20	3	CPA18	6
	28	80	100	14.9	9.7	M5	35	22.5	2	CPA28-CPN28	3
		100	120	14.9	9.7	M5	50	25	2	CPA28	4
		125	145	14.9	9.7	M5	25	25	4	CPA28	5
		150	170	14.9	9.7	M5	50	25	3	CPA28	6
	35	100	120	19.9	11.9	M6	45	27.5	2	CPA35-CPN35	3
		120	140	19.9	11.9	M6	60	30	2	CPA35	4
		150	170	19.9	11.9	M6	30	30	4	CPA35	5
		180	200	19.9	11.9	M6	60	30	3	CPA35	6
	43	120	140	24.9	14.5	M8	55	32.5	2	CPA43-CPN43	3
		150	170	24.9	14.5	M8	80	35	2	CPA43	4
		190	210	24.9	14.5	M8	40	35	4	CPA43	5
		230	250	24.9	14.5	M8	80	35	3	CPA43	6
	63	180	200	39.5	19.5	M8	54	9	4	CPA63	3
		235	255	39.5	19.5	M8	54	9.5	5	CPA63	4
		290	310	39.5	19.5	M8	54	10	6	CPA63	5
		345	365	39.5	19.5	M8	54	10.5	7	CPA63	6
CSK	43	120	140	24.9	14.5	M8	55	32.5	2	CRA43-CRN43	3
		150	170	24.9	14.5	M8	80	35	2	CRA43	4
		190	210	24.9	14.5	M8	40	35	4	CRA43	5
		230	250	24.9	14.5	M8	80	35	3	CRA43	6
	63	180	200	39.5	19.5	M8	54	9	4	CRA63	3
		235	255	39.5	19.5	M8	54	9.5	5	CRA63	4
		290	310	39.5	19.5	M8	54	10	6	CRA63	5
		345	365	39.5	19.5	M8	54	10.5	7	CRA63	6

* Information about the roller type, see pg. CR-29, tab. 18

Tab. 10

CD-series



Representation of slider with wiper

Fig. 35

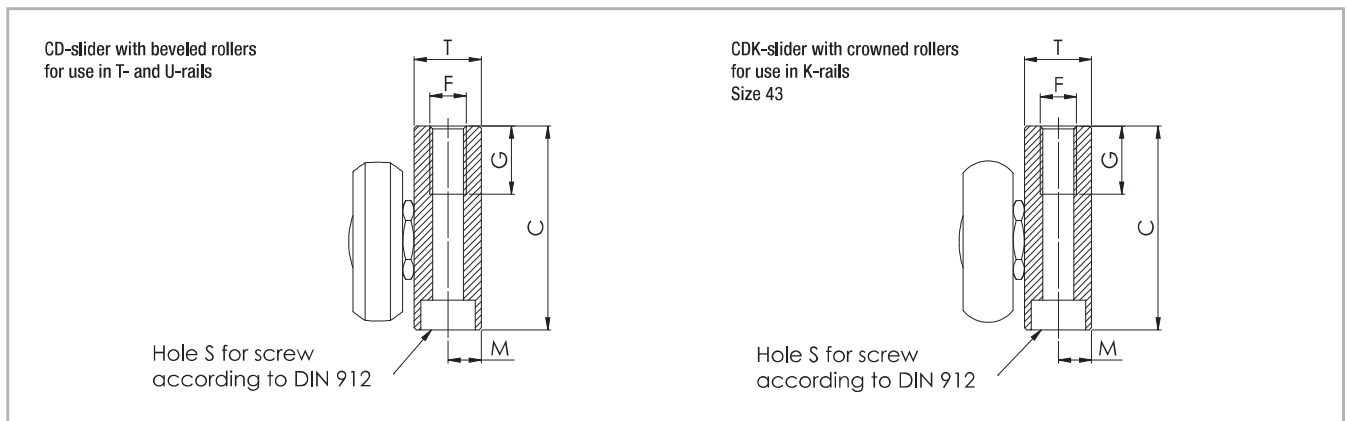


Fig. 36

Type	Size	A [mm]	B [mm]	C [mm]	T [mm]	M [mm]	S	G [mm]	F	X [mm]	Y [mm]	No. of holes	Roller type used*	Number of Rollers
CD	28	80	100	29.9	9.9	4.9	M5	15	M6	36	22	2	CPA28	3
		125	145	29.9	9.9	4.9	M5	15	M6	27	22	4	CPA28	5
	35	100	120	34.9	11.8	5.9	M6	15	M8	45	27.5	2	CPA35	3
		150	170	34.9	11.8	5.9	M6	15	M8	30	30	4	CPA35	5
	43	120	140	44.9	14.8	7.3	M6	15	M8	56	32	2	CPA43	3
		190	210	44.9	14.8	7.3	M6	15	M8	42	32	4	CPA43	5
CDK	43	120	140	44.9	14.8	7.3	M6	15	M8	56	32	2	CRA43	3
		190	210	44.9	14.8	7.3	M6	15	M8	42	32	4	CRA43	5

* Information about the roller type, see pg. CR-29, tab. 18

Tab. 11

> Load capacities

Slider

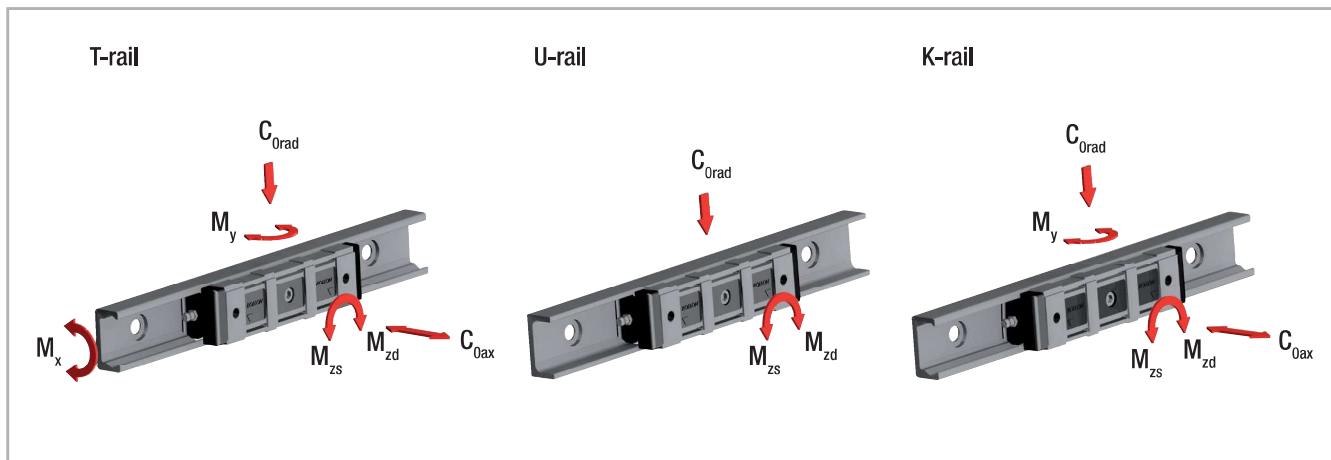


Fig. 22

The load capacities in the following tables each apply for one slider.

When using the slider in U-rails (floating bearing rails) the values are $C_{0ax} = 0$, $M_x = 0$ and $M_y = 0$. When using the sliders in K-rails (compensation rails) the value is: $M_x = 0$.

Type	Number of rollers	Load capacities and moments							Weight [kg]
		C [N]	C_{Orad} [N]	C_{0ax} [N]	M_x [Nm]	M_y [Nm]	M_z [Nm]		
							M_{zd}	M_{zs}	
NT18	3	1530	820	260	1.5	4.7	8.2	8.2	0.03
NU18	3	1530	820	0	0	0	8.2	8.2	0.03
CS18-060-...	3	1530	820	260	1.5	4.7	8.2	8.2	0.04
CS18-080-...-A	4	1530	820	300	2.8	7	8.2	24.7	0.05
CS18-080-...-B	4	1530	820	300	2.8	7	24.7	8.2	0.05
CS18-100-...	5	1830	975	360	2.8	9.4	24.7	24.7	0.06
CS18-120-...-A	6	1830	975	440	3.3	11.8	24.7	41.1	0.07
CS18-120-...-B	6	1830	975	440	3.3	11.8	41.1	24.7	0.07

Tab. 1

Type	Number of rollers	Load capacities and moments							Weight [kg]
		C [N]	C _{Orad} [N]	C _{Oax} [N]	M _x [Nm]	M _y [Nm]	M _z [Nm]		
							M _{zd}	M _{zs}	
NTE28	3	4260	2170	640	6.2	16	27.2	27.2	0.115
NUE28	3	4260	2170	0	0	0	27.2	27.2	0.115
NTE28L-3-A	3	4260	2170	640	6.2	29	54.4	54.4	0.141
NTE28L-4-A	4	4260	2170	750	11.5	29	54.4	108.5	0.164
NTE28L-4-B	4	4260	2170	750	11.5	29	108.5	54.4	0.164
NTE28L-4-C	4	4260	2170	750	11.5	29	81.7	81.7	0.164
NTE28L-5-A	5	5065	2580	900	11.5	29	81.7	81.7	0.185
NTE28L-5-B	5	6816	3472	640	6.2	29	54.4	54.4	0.185
NUE28L-3-A	3	4260	2170	0	0	0	54.4	54.4	0.141
NUE28L-4-A	4	4260	2170	0	0	0	54.4	108.5	0.164
NUE28L-4-B	4	4260	2170	0	0	0	108.5	54.4	0.164
NUE28L-4-C	4	4260	2170	0	0	0	81.7	81.7	0.164
NUE28L-5-A	5	5065	2580	0	0	0	81.7	81.7	0.185
NUE28L-5-B	5	6816	3472	0	0	0	54.4	54.4	0.185
CS28-080-...	3	4260	2170	640	6.2	16	27.2	27.2	0.155
CS28-100-...-A	4	4260	2170	750	11.5	21.7	27.2	81.7	0.195
CS28-100-...-B	4	4260	2170	750	11.5	21.7	81.7	27.2	0.195
CS28-125-...	5	5065	2580	900	11.5	29	81.7	81.7	0.24
CS28-150-...-A	6	5065	2580	1070	13.7	36.2	81.7	136.1	0.29
CS28-150-...-B	6	5065	2580	1070	13.7	36.2	136.1	81.7	0.29
CD28-080-...	3	4260	2170	640	6.2	16	27.2	27.2	0.215
CD28-125-...	5	5065	2580	900	11.5	29	81.7	81.7	0.3
CS35-100-...	3	8040	3510	1060	12.9	33.7	61.5	61.5	0.27
CS35-120-...-A	4	8040	3510	1220	23.9	43.3	52.7	158.1	0.33
CS35-120-...-B	4	8040	3510	1220	23.9	43.3	158.1	52.7	0.33
CS35-150-...	5	9565	4180	1460	23.9	57.7	158.1	158.1	0.41
CS35-180-...-A	6	9565	4180	1780	28.5	72.2	158.1	263.4	0.49
CS35-180-...-B	6	9565	4180	1780	28.5	72.2	263.4	158.1	0.49
CD35-100-...	3	8040	3510	1060	12.9	33.7	61.5	61.5	0.39
CD35-150-...	5	9565	4180	1460	23.9	57.7	158.1	158.1	0.58

Tab. 2

Type	Number of rollers	Load capacities and moments							Weight [kg]
		C [N]	C _{Drad} [N]	C _{0ax} [N]	M _x [Nm]	M _y [Nm]	M _z [Nm]		
							M _{zd}	M _{zs}	
NTE43	3	12280	5500	1570	23.6	60	104.5	104.5	0.385
NUE43	3	12280	5500	0	0	0	104.5	104.5	0.385
NKE43	3	12280	5100	1320	0	50.4	96.9	96.9	0.385
NTE43L-3-A	3	12280	5500	1570	23.6	108.6	209	209	0.45
NTE43L-4-A	4	12280	5500	1855	43.6	108.6	209	418	0.52
NTE43L-4-B	4	12280	5500	1855	43.6	108.6	418	209	0.52
NTE43L-4-C	4	12280	5500	1855	43.6	108.6	313.5	313.5	0.52
NTE43L-5-A	5	14675	6540	2215	43.6	108.6	313.5	313.5	0.59
NTE43L-5-B	5	19650	8800	1570	23.6	108.6	209	209	0.59
NUE43L-3-A	3	12280	5500	0	0	0	209	209	0.45
NUE43L-4-A	4	12280	5500	0	0	0	209	418	0.52
NUE43L-4-B	4	12280	5500	0	0	0	418	209	0.52
NUE43L-4-C	4	12280	5500	0	0	0	313.5	313.5	0.52
NUE43L-5-A	5	14675	6540	0	0	0	313.5	313.5	0.59
NUE43L-5-B	5	19650	8800	0	0	0	209	209	0.59
NKE43L-3-A	3	12280	5100	1320	0	97.7	188.7	188.7	0.45
NKE43L-4-A	4	12280	5100	1320	0	97.7	188.7	377.3	0.52
NKE43L-4-B	4	12280	5100	1320	0	97.7	377.3	188.7	0.52
NKE43L-4-C	4	12280	5100	1320	0	97.7	283	283	0.52
NKE43L-5-A	5	14675	6065	1570	0	97.7	283	283	0.59
NKE43L-5-B	5	19650	8160	1820	0	97.7	188.7	188.7	0.59
CS43-120-...	3	12280	5500	1570	23.6	60	104.5	104.5	0.53
CS43-150-...-A	4	12280	5500	1855	43.6	81.5	104.5	313.5	0.68
CS43-150-...-B	4	12280	5500	1855	43.6	81.5	313.5	104.5	0.68
CS43-190-...	5	14675	6540	2215	43.6	108.6	313.5	313.5	0.84
CS43-230-...-A	6	14675	6540	2645	52	135.8	313.5	522.5	1.01
CS43-230-...-B	6	14675	6540	2645	52	135.8	522.5	313.5	1.01

Tab. 3

Type	Number of rollers	Load capacities and moments							Weight [kg]
		C [N]	C _{Orad} [N]	C _{Oax} [N]	M _x [Nm]	M _y [Nm]	M _z [Nm]		
							M _{zd}	M _{zs}	
CSK43-120-...	3	12280	5100	1320	0	50.4	96.9	96.9	0.53
CSK43-150-A	4	12280	5100	1320	0	54.3	96.9	290.7	0.68
CSK43-150-B	4	12280	5100	1320	0	54.3	290.7	96.9	0.68
CSK43-190-...	5	14675	6065	1570	0	108.7	290.7	290.7	0.84
CSK43-230-A	6	14675	6065	1570	0	108.7	290.7	484.5	1.01
CSK43-230-B	6	14675	6065	1570	0	108.7	484.5	290.7	1.01
CD43-120-...	3	12280	5500	1570	23.6	60	104.5	104.5	0.64
CD43-190-...	5	14675	6540	2215	43.6	108.6	313.5	313.5	0.95
CDK43-120-...	3	12280	5100	1320	0	50.4	96.9	96.9	0.64
CDK43-190-...	5	14675	6065	1570	0	108.7	290.7	290.7	0.95
NTE63	3	30750	12500	6000	125	271	367	367	1.07
NUE63	3	30750	12500	0	0	0	367	367	1.07
NKE63	3	30750	11550	5045	0	235	335	335	1.07
CS63-180-2ZR	3	30750	12500	6000	125	271	367	367	1.66
CS63-235-2ZR-A	4	30750	12500	7200	250	413	367	1100	2.17
CS63-235-2ZR-B	4	30750	12500	7200	250	413	1100	367	2.17
CS63-290-2ZR	5	36600	15000	8500	250	511	1100	1100	2.67
CS63-345-2ZR-A	6	36600	15000	10000	350	689	1100	1830	3.17
CS63-345-2ZR-B	6	36600	15000	10000	350	689	1830	1100	3.17
CSK63-180-2ZR	3	30750	11550	5045	0	235	335	335	1.66
CSK63-235-2ZR-A	4	30750	11550	5045	0	294	335	935	2.17
CSK63-235-2ZR-B	4	30750	11550	5045	0	294	935	335	2.17
CSK63-290-2ZR	5	36600	13745	6000	0	589	935	935	2.67
CSK63-345-2ZR-A	6	36600	13745	6000	0	589	935	1560	3.17
CSK63-345-2ZR-B	6	36600	13745	6000	0	589	1560	935	3.17

Tab. 4