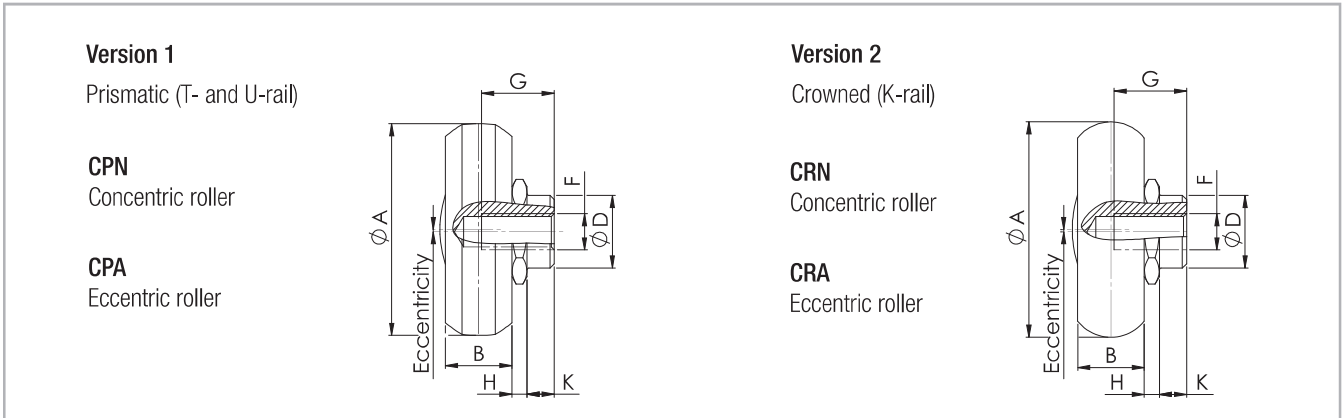


Accessories

> Rollers



Seals: 2RS is the splash-proof seal, 2Z (2ZR for size 63) is the steel cover disc
 Note: The rollers are lubricated for life

Fig. 42

| Type | A [mm] | B [mm] | D [mm] | e [mm] | H [mm] | K [mm] | G [mm] | F | C [N] | C _{Orad} [N] | Weight [kg] |
|-----------|--------|--------|--------|--------|--------|--------|--------|-----|-------|-----------------------|-------------|
| CPN18-2RS | 14 | 4 | 6 | - | 1.55 | 1.8 | 5.5 | M4 | 765 | 410 | 0.004 |
| CPN18-2Z | 14 | 4 | 6 | - | 1.55 | 1.8 | 5.5 | M4 | 765 | 410 | 0.004 |
| CPA18-2RS | 14 | 4 | 6 | 0.4 | 1.55 | 1.8 | 5.5 | M4 | 765 | 410 | 0.004 |
| CPA18-2Z | 14 | 4 | 6 | 0.4 | 1.55 | 1.8 | 5.5 | M4 | 765 | 410 | 0.004 |
| CPN28-2RS | 23.2 | 7 | 10 | - | 2.2 | 3.8 | 7 | M5 | 2130 | 1085 | 0.019 |
| CPN28-2Z | 23.2 | 7 | 10 | - | 2.2 | 3.8 | 7 | M5 | 2130 | 1085 | 0.019 |
| CPA28-2RS | 23.2 | 7 | 10 | 0.6 | 2.2 | 3.8 | 7 | M5 | 2130 | 1085 | 0.019 |
| CPA28-2Z | 23.2 | 7 | 10 | 0.6 | 2.2 | 3.8 | 7 | M5 | 2130 | 1085 | 0.019 |
| CPN35-2RS | 28.2 | 7.5 | 12 | - | 2.55 | 4.2 | 9 | M5 | 4020 | 1755 | 0.032 |
| CPN35-2Z | 28.2 | 7.5 | 12 | - | 2.55 | 4.2 | 9 | M5 | 4020 | 1755 | 0.032 |
| CPA35-2RS | 28.2 | 7.5 | 12 | 0.7 | 2.55 | 4.2 | 9 | M5 | 4020 | 1755 | 0.032 |
| CPA35-2Z | 28.2 | 7.5 | 12 | 0.7 | 2.55 | 4.2 | 9 | M5 | 4020 | 1755 | 0.032 |
| CPN43-2RS | 35 | 11 | 12 | - | 2.5 | 4.5 | 12 | M6 | 6140 | 2750 | 0.06 |
| CPN43-2Z | 35 | 11 | 12 | - | 2.5 | 4.5 | 12 | M6 | 6140 | 2750 | 0.06 |
| CPA43-2RS | 35 | 11 | 12 | 0.8 | 2.5 | 4.5 | 12 | M6 | 6140 | 2750 | 0.06 |
| CPA43-2Z | 35 | 11 | 12 | 0.8 | 2.5 | 4.5 | 12 | M6 | 6140 | 2750 | 0.06 |
| CPN63-2ZR | 50 | 17.5 | 18 | - | 2.3 | 6 | 16 | M8 | 15375 | 6250 | 0.19 |
| CPA63-2ZR | 50 | 17.5 | 18 | 1.2 | 2.3 | 6 | 16 | M10 | 15375 | 6250 | 0.19 |
| | | | | | | | | | | | |
| CRN43-2Z | 35.6 | 11 | 12 | - | 2.5 | 4.5 | 12 | M6 | 6140 | 2550 | 0.06 |
| CRA43-2Z | 35.6 | 11 | 12 | 0.8 | 2.5 | 4.5 | 12 | M6 | 6140 | 2550 | 0.06 |
| CRN63-2ZR | 49.7 | 17.5 | 18 | - | 2.3 | 6 | 16 | M8 | 15375 | 5775 | 0.19 |
| CRA63-2ZR | 49.7 | 17.5 | 18 | 1.2 | 2.3 | 6 | 16 | M10 | 15375 | 5775 | 0.19 |

Tab. 18