

# Flat suction pads (oval) Series VTOF

Flat suction pads in NBR or Silicone which, thanks to their oval shape, can be used to handle narrow and long workpieces. Diameters from 7x3,5 to 60x20 mm with thread size M3, M5, G1/8, G1/4, both male and female.



- » Wide range of diameters, all available in materials NBR or Silicone.
- » Low profile with reduced intrinsic volume which enables short cycle times and/or the use of smaller vacuum generators.
- » Optimised shape for high suction force with reduced size.
- » Support on the bottom to avoid permanent deformation on the workpiece.
- » Size 30x10 and up equipped with a special clip to prevent unwanted rotation.

The flat oval suction pads Series VTOF consist of a nipple and rubber part. The nipples are inserted directly into the rubber part.

Pads size 30x10 and larger are further equipped with a special clip in order to avoid unwanted rotation during operation.

The suction pads can also be ordered separately without nipples as spare parts.

Applications:

- Handling of narrow workpieces with small undulated gripping surface such as plates, extruded profiles plastic components, etc
- Handling of frame elements as for example doors, windows, etc
- Silicone version for the handling of pieces at high temperatures

## GENERAL DATA

<b>Description</b>	robust and wear resistant pad consisting of rubber part and connection nipple
<b>Construction</b>	- nipples and suction pads are supplied not pre-assembled - size 30x10 mm and up equipped with a clip to avoid rotation
<b>Maintenance</b>	it is possible to replace the rubber part

**TECHNICAL DATA**

Mod./Diameter	Suction force (N)*	Volume (cm³)	Min. Curve radius (mm) (convex)	Recommended internal tube diameter (mm)
VTOF-0070-035	1	0,019	3	2
VTOF-0150-050	3,1	0,036	5	2
VTOF-0180-060	4,5	0,058	7	2
VTOF-0300-100	12,2	0,28	10	4
VTOF-0450-150	28,2	0,98	18	6
VTOF-0600-200	50,1	2,3	25	6

**CODING EXAMPLE**

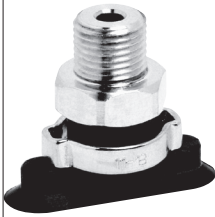
VT	O	F	-	0070-035	N	-	M3	M
----	---	---	---	----------	---	---	----	---

<b>VT</b>	SERIES: VT = suction pad
<b>O</b>	SHAPE: O = oval
<b>F</b>	VERSION: F = FLAT
<b>0070-035</b>	DIMENSIONS: 0070-035 = 7,0 x 3,5 mm 0150-050 = 15,0 x 5,0 mm 0180-060 = 18,0 x 6,0 mm 0300-100 = 30,0 x 10,0 mm 0450-150 = 45,0 x 15,0 mm 0600-200 = 60,0 x 20,0 mm
<b>N</b>	MATERIALS: N = NBR S = Silicone
<b>M3</b>	THREAD SIZE: M3 = M3 M5 = M5 1/8 = G1/8 1/4 = G1/4
<b>M</b>	THREAD: M = male F = female

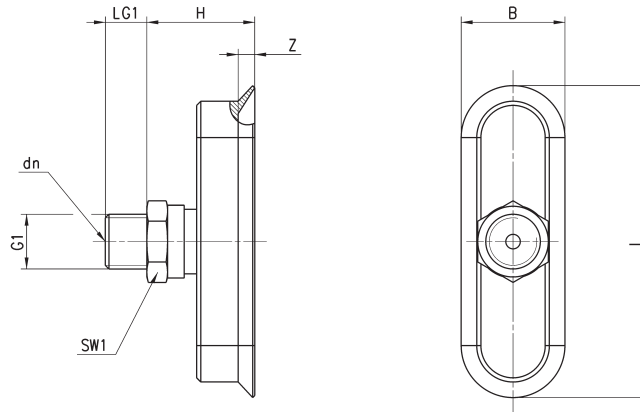
### Suction pad VTOF

Male thread

\* = N for suction pad in NBR - S for suction pad in Silicone (add the required letter when placing an order)



Tolerances on dimensions for elastomer parts according to M3 - DIN 7715



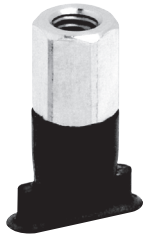
#### DIMENSIONS

Suction pad with nipple	B	dn	G1	H	L	LG1	SW1	Z	Suction pad	Nipple
<b>VTOF-0070-035*-M3M</b>	3,5	1	M3M	8	7	3	5	08	VTOF-0070-035*	NPV-A-M3-M
<b>VTOF-0150-050*-M5M</b>	5	2	M5M	17	15	5	8	07	VTOF-0150-050*	NPV-C-M5-M
<b>VTOF-0180-060*-M5M</b>	6	2	M5M	17	18	5	8	08	VTOF-0180-060*	NPV-C-M5-M
<b>VTOF-0300-100*-1/8M</b>	10	3,5	G1/4 M	17	30	8	14	1,5	VTOF-0300-100*	NPV-P-1/8-M
<b>VTOF-0450-150*-1/4M</b>	15	3,5	G1/4 M	26	45	10	17	2	VTOF-0450-150*	NPV-Q-1/4-M
<b>VTOF-0600-200*-1/4M</b>	20	3,5	G1/4 M	26	60	10	17	2,5	VTOF-0600-200*	NPV-Q-1/4-M

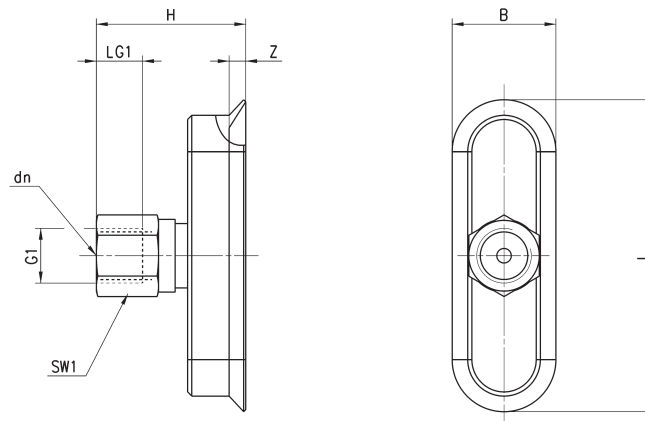
### Suction pad VTOF

Female thread

\* = N for suction pad in NBR - S for suction pad in Silicone (add the required letter when placing an order)



Tolerances on dimensions for elastomer parts according to M3 - DIN 7715



#### DIMENSIONS

Suction pad with nipple	B	dm	G1	H	L	LG1	SW1	Z	Suction pad	Nipple
<b>VTOF-0150-050*-M5F</b>	5	2	M5 F	22	15	5,5	8	0,7	VTOF-0150-050*	NPV-C-M5-F
<b>VTOF-0180-060*-M5F</b>	6	2	M5 F	22	18	5,5	8	0,8	VTOF-0180-060*	NPV-C-M5-F
<b>VTOF-0300-100*-1/8F</b>	10	3,5	G1/8 F	25	30	9	14	1,5	VTOF-0300-100*	NPV-P-1/8-F
<b>VTOF-0450-150*-1/4F</b>	15	3,5	G1/4 F	36	45	12	17	2	VTOF-0450-150*	NPV-Q-1/4-F
<b>VTOF-0600-200*-1/4F</b>	20	3,5	G1/4 F	36	60	12	17	2,5	VTOF-0600-200*	NPV-Q-1/4-F