

Electronic vacuum/pressure switches

Series SWC

Out of production 

With digital display
High precision, easy to use



- » Compact and lightweight
- » Digital display: electronically precise switching with two separate switching outputs.
- » Switching point and hysteresis programmable with the key pad.
- » Two separately programmable digital outputs allow to set the upper and lower limit value.
- » Special functions programmable: further adaptation is possible.

Applications:

- electronic vacuum/pressure switch for safety monitoring, optimization of cycle times or energy saving devices;
- it can be installed directly on the gripping point of a handling system;
- setting of the limit vacuum value and continuous vacuum control;
- user friendly and suitable for user's requirements.

Electric connections:

- This device functions correctly with a connector Mod. CS-DFO4EG-E500 or CS-DR04EG-E500 which should be ordered separately.
- Further details at the end of this section.

GENERAL DATA

Type of vacuum/pressure switch	electronic with polycarbonate housing
Vacuum switch connection	- vacuum connection with G1/8 male thread
Pressure switch	- pressure connection G1/8 male thread
Display	3 digit display and key pad to regulate the setting points
LED	integrated LED for the indication of the switching state
Electric connection	with 4-pin M8 connector

CODING EXAMPLE

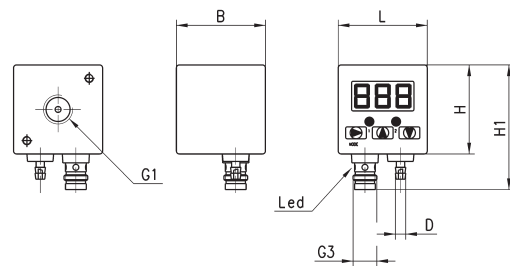
SW	C	-	V00	-	P
-----------	----------	----------	------------	----------	----------

SW	SERIES SW = transducer
C	VERSION C = cube shape with digital display
V00	MEASURING RANGE V00 = from -1 to 0 bar P10 = from 0 to 10 bar
P	POLARITY P = PNP

2

CONTROL

Vacuum/pressure switch Series SWC

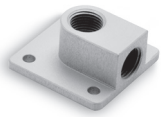


DIMENSIONS							
Mod.	B	D	G1	G3	H	H1	L
SWC-V00-P	29	3,4	G1/8	M8	30	40	30
SWC-P10-P	29	3,4	G1/8	M8	30	40	30

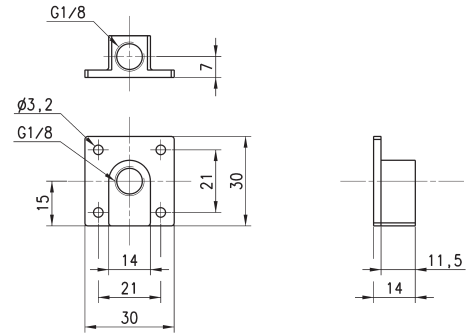
TECHNICAL DATA

	SWC-V00-P	SWC-P10-P
Mod.	SWC-V00-P	SWC-P10-P
Fluid	Non-aggressive gas, dry air, without lubrication	Non-aggressive gas, dry air, without lubrication
Measurement range	-1 ÷ 0 bar	0 ÷ 10 bar
Max overpressure [bar]	5	16
Precision	± 1% measurement range	± 1% measurement range
Hysteresis	settable: from 0 to 100 % of set value or comparator mode	settable: from 0 to 100 % of set value or comparator mode
Output signal	2 digital	2 digital
Max output current [mA]	180	180
Signalling	2 x LED	2 x LED
View resolution	0,01 bar, 5 mmHg, 0,2 inHg, 1 kPa	0,01 bar, 5 mmHg, 0,2 inHg, 1 kPa
View unit	bar, mmHg, inHg, kPa	bar, mmHg, inHg, kPa
Measurement value displaying	LED 3-digit 7-segments	LED 3-digit 7-segments
Electric connection	Connector M8 4 Poles	Connector M8 4 Poles
Pneumatic connection	G1/8 female	G1/8 female
Voltage	10.8 - 30 V DC	10.8 - 30 V DC
Current consumption [mA]	< 55	< 55
IP Protection	IP 40/65 (with flexible tube)	IP 40/65 (with flexible tube)
Temperature effect	± 3% measurement range from 0 to 50°C	± 3% measurement range from 0 to 50°C
Operating temperature	0°C ÷ 50 °C	0°C ÷ 50 °C
Weight [g]	35	35

Bracket Mod. SWC-E

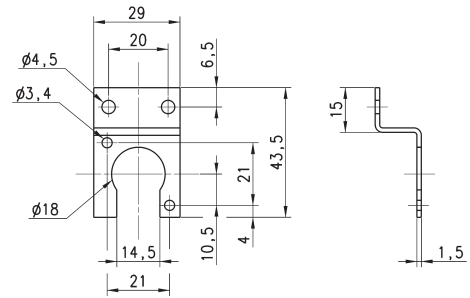


The bracket is delivered complete with fixing screws and O-ring seal.



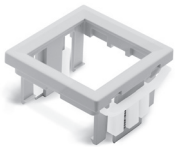
Mod.
SWC-E

Bracket Mod. SWC-B

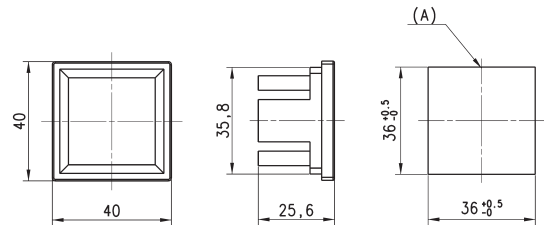


Mod.
SWC-B

Panel mounting bracket Mod. SWC-F



A = dimensions of bay for panel mounting
Thickness of the panel: from 1 to 6 mm

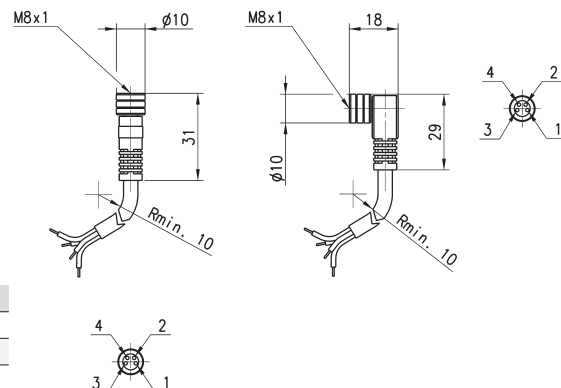


Mod.
SWC-F

Circular M8 4-pole connectors, Female



With PU sheathing, non shielded cable.
Protection class: IP65



Mod.	Type of connector	Cable length (m)
CS-DF04EG-E200	straight	2
CS-DF04EG-E500	straight	5
CS-DR04EG-E200	right angle (90 degrees)	2
CS-DR04EG-E500	right angle (90 degrees)	5