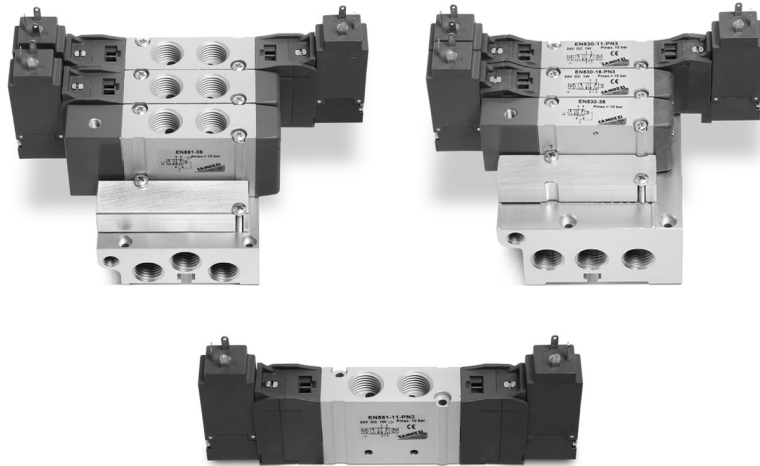


Valves and Solenoid valves Series EN

5/2-way, 5/3-way CC - CO - CP

With outlets on the body - For individual or manifold assembly

Size 16 - 19 mm



- » Mounting on any flat surface
- » Reduced dimensions
- » Aluminium body and end-covers in technopolymer
- » Space saving

Camozzi has developed a new series of valves to be used in applications requiring a reduced space of installation and in situations where the valves need to be located as near as possible to the operating elements. The single valves can be mounted on any flat surface, allowing compact machine design, which is also enhanced by the reduced dimensions of the valve itself. Thanks to their robust aluminium bodies, the valves Series EN offer the highest reliability.

This new generation of solenoid valves is the evolution of the previous Series E, size 16 - 19 mm valve with ports threaded into the body. As this valve is completely interchangeable with Series E, part of the code is maintained though the valve has a completely new shape and new components.

GENERAL DATA

Construction	spool-type
Valve functions	5/2 - 5/3 CC - 5/3 CO - 5/3 CP
Materials	body, spool, bases = AL end-covers = technopolymer joints = NBR PU
Ports	G1/8 - G1/4
Temperature	0°C min. + 50° C max
Fluid	filtered air without lubricant. If lubricated air is used, it is recommended to use ISOVG32 oil and to never interrupt lubrication.
Voltage	see coding
Voltage tolerance	± 10%
Power consumption	2W, 1W
Class of insulation	class F
Protection class	IP65 with connector DIN 40050

CODING EXAMPLE

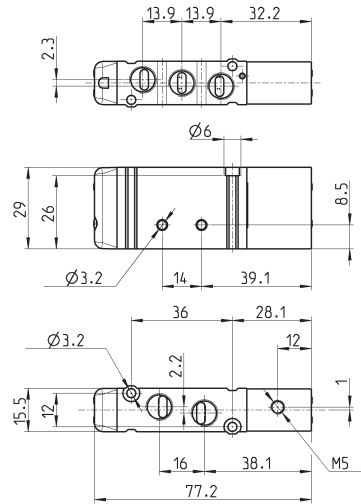
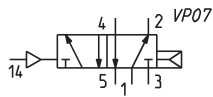
EN	5	3	1	-	11	-	PN3
-----------	----------	----------	----------	----------	-----------	----------	------------

EN	SERIES
5	<p>FUNCTION:</p> <p>5 = 5/2 6 = 5/3 Centre Closed 7 = 5/3 Centre Open 8 = 5/3 Pressure Centre</p>
3	<p>SIZE:</p> <p>3 = size 16 5 = size 19</p>
1	<p>BODY TYPE:</p> <p>1 = body with threaded plate</p>
11	<p>ACTUATION:</p> <p>11 = electro-pneumatic, bistable 16 = electro-pneumatic, monostable 33 = pneumatic bistable 36 = pneumatic monostable E11 = electro-pneumatic, bistable with external servo-pilot supply E16 = electro-pneumatic, monostable with external servo-pilot supply</p>
PN3	<p>TYPE OF SOLENOID:</p> <p>PN3 = 24V DC - 1W PN4 = 48V DC - 2W PN6 = 110V DC - 2W PN7 = 230V - 2W P13 = 24V DC - 1W P54 = 48V DC - 2W P56 = 110V DC - 2W W53 = 24V DC - 2W W54 = 48V DC - 2W</p> <p>In case of applications with alternate current, use a bridge rectifier connector (see pag. 2/2.07.39)</p>

Pneumatically actuated valve, monostable - size 16

5/2-way

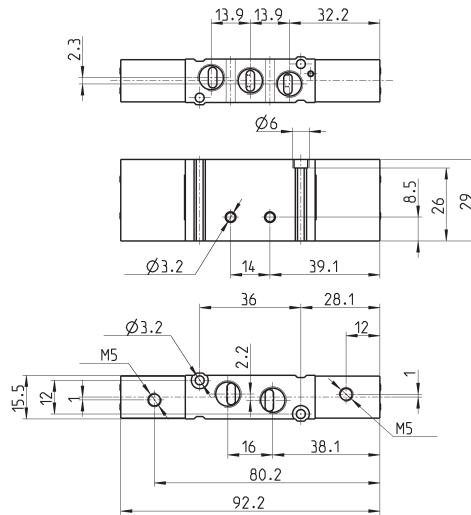
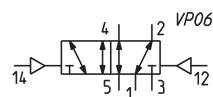
Note: the pilot pressure should never be lower than the operating pressure.



Mod.	Ports	Pilot supply	Pilot supply pressure (bar)	Operating pressure (bar)	Flow (NI/min)
EN531-36	G1/8	M5	2,5 ± 10	-0,9 ± 10	550

Pneumatically actuated valve, bistable - size 16

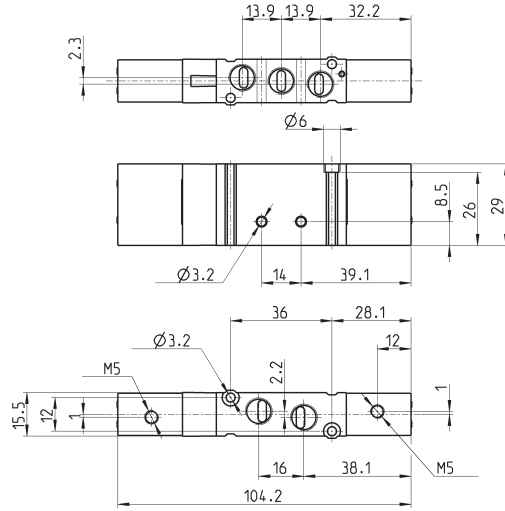
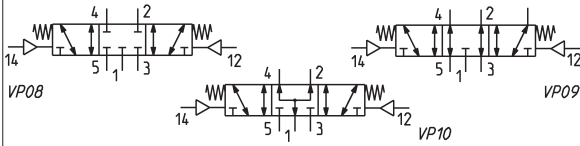
5/2-way



Mod.	Ports	Pilot supply	Pilot supply pressure (bar)	Operating pressure (bar)	Flow (NI/min)
EN531-33	G1/8	M5	2 ± 10	-0,9 ± 10	550

Pneumatically actuated valve - size 16

5/3-way
 CC = Centres closed
 CO = Centres open
 CP = Pressure Centres

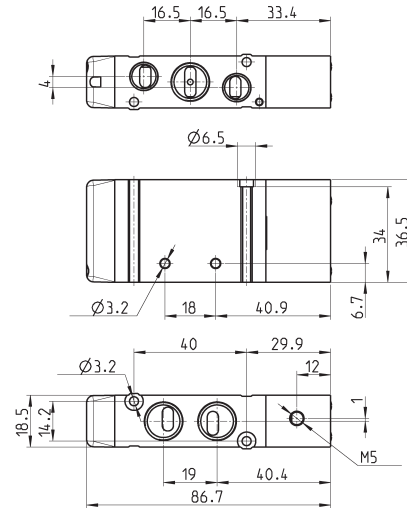
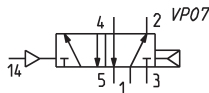


Mod.	Ports	Pilot supply	Pilot supply pressure (bar)	Operating pressure (bar)	Flow (NI/min)	Symbol
EN631-33	G1/8	M5	3 ÷ 10	-0.9 ÷ 10	550	VP08
EN731-33	G1/8	M5	3 ÷ 10	-0.9 ÷ 10	550	VP09
EN831-33	G1/8	M5	3 ÷ 10	-0.9 ÷ 10	550	VP10

Pneumatically actuated valve, monostable - size 19

5/2-way

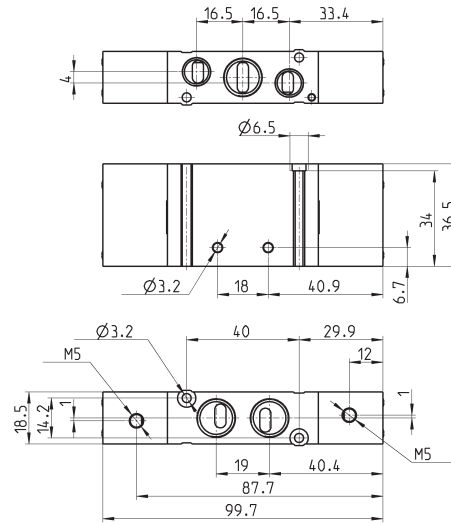
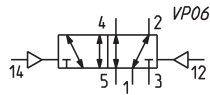
Note: the pilot pressure should never be lower than the operating pressure.



Mod.	Ports 1-2-4	Ports 3-5	Pilot supply	Pilot supply pressure (bar)	Operating pressure (bar)	Flow (NI/min)
EN551-36	G1/4	G1/8	M5	2.5 ÷ 10	-0.9 ÷ 10	920

Pneumatically actuated valve, bistable - size 19

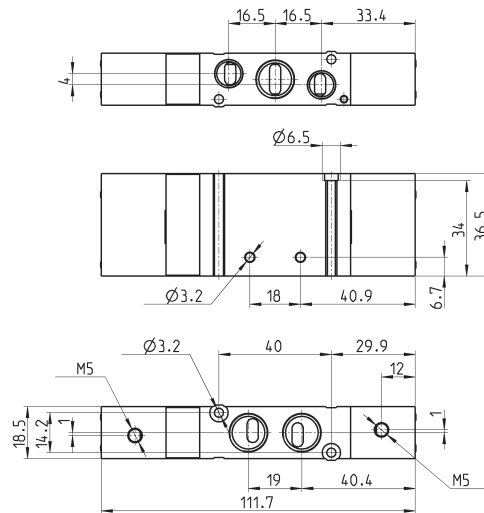
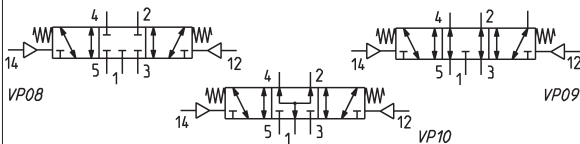
5/2-way



Mod.	Ports 1-2-4	Ports 3-5	Pilot supply	Pilot supply pressure (bar)	Operating pressure (bar)	Flow (NI/min)
EN551-33	G1/4	G1/8	M5	2 + 10	-0,9 + 10	920

Pneumatically actuated valve - size 19

5/3-way

 CC = Centres closed
 CO = Centres open
 CP = Pressure Centres


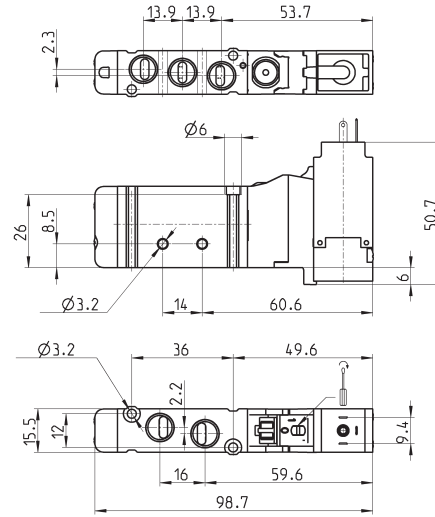
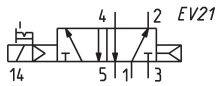
Mod.	Ports 1-2-4	Ports 3-5	Pilot supply	Pilot supply pressure (bar)	Operating pressure (bar)	Flow (NI/min)	Symbol
EN651-33	G1/4	G1/8	M5	3 + 10	-0,9 + 10	920	VP08
EN751-33	G1/4	G1/8	M5	3 + 10	-0,9 + 10	920	VP09
EN851-33	G1/4	G1/8	M5	3 + 10	-0,9 + 10	920	VP10

Electro-pneumatically actuated valve, monostable - size 16

5/2-way



Connectors: see pages
2/2.07.39-40



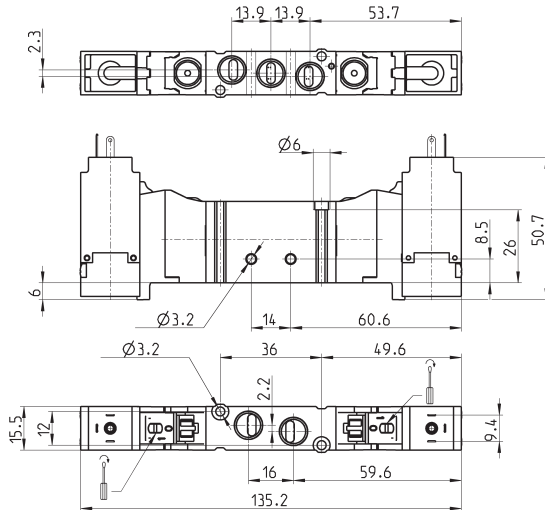
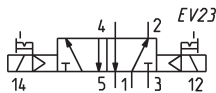
Mod.	Ports	Operating pressure (bar)	Flow (NI/min)
EN531-16-PN..	G1/8	2,5 + 10	550

Electro-pneumatically actuated valve, bistable - size 16

5/2-way



Connectors: see pages
2/2.07.39-40.



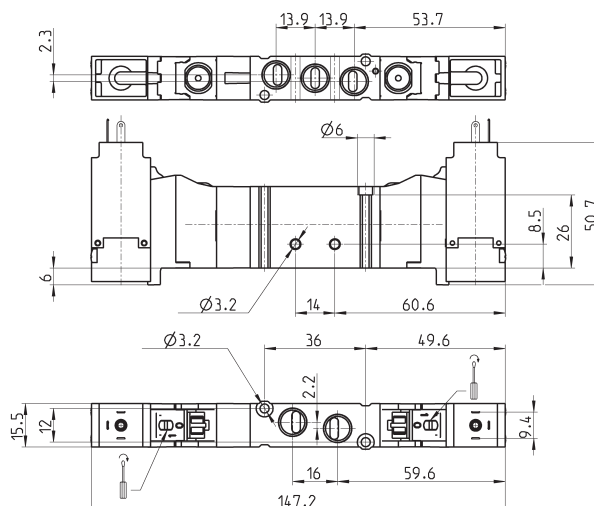
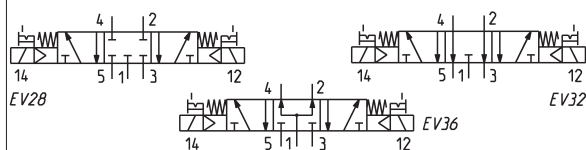
Mod.	Ports	Operating pressure (bar)	Flow (NI/min)
EN531-11-PN..	G1/8	2 + 10	550

Electro-pneumatically actuated valve - size 16

5/3-way
 CC = Centres Closed
 CO = Centres Open
 CP = Pressure Centres



Connectors: see pages
 2/2.07.39-40.



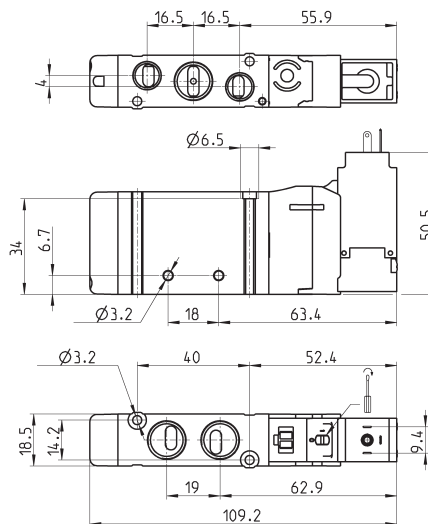
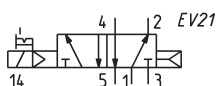
Mod.	Ports	Operating pressure (bar)	Flow (NI/min)	Symbol
EN631-11-PN..	G1/8	3 + 10	550	EV28
EN731-11-PN..	G1/8	3 + 10	550	EV32
EN831-11-PN..	G1/8	3 + 10	550	EV36

Electro-pneumatically actuated valve, monostable - size 19

5/2-way



Connectors: see pages
 2/2.07.39-40.



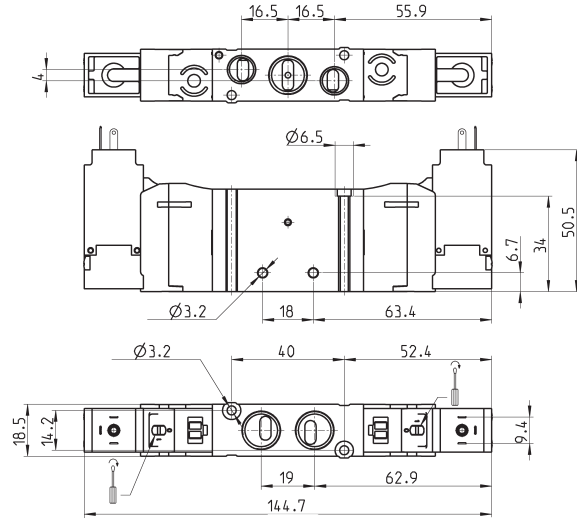
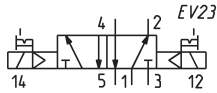
Mod.	Ports 1-2-4	Ports 3-5	Operating pressure (bar)	Flow (NI/min)
EN551-16-PN..	G1/4	G1/8	2,5 + 10	920

Electro-pneumatically actuated valve, bistable - size 19

5/2-way



Connectors: see pages 2/2.07.39-40.



Mod.	Ports 1-2-4	Ports 3-5	Operating pressure (bar)	Flow (NI/min)
EN551-11-PN..	G1/4	G1/8	2 ÷ 10	920

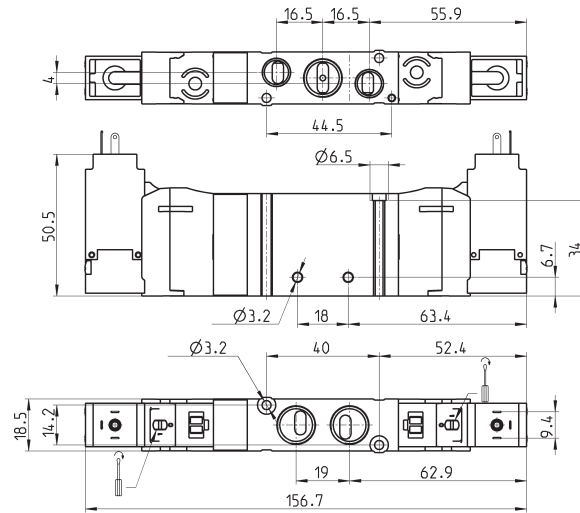
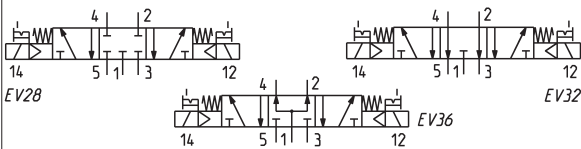
Electro-pneumatically actuated valve - size 19

5/3-way

- CC = Centres Closed
- CO = Centres Open
- CP = Pressure Centres



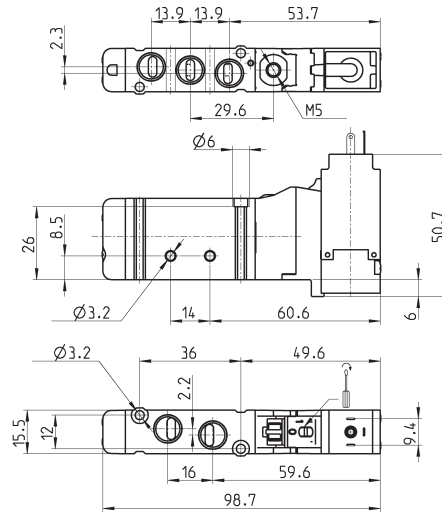
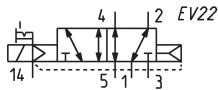
Connectors: see pages 2/2.07.39-40.



Mod.	Ports 1-2-4	Ports 3-5	Operating pressure (bar)	Flow (NI/min)	Symbol
EN651-11-PN..	G1/4	G1/8	3 ÷ 10	920	EV28
EN751-11-PN..	G1/4	G1/8	3 ÷ 10	920	EV32
EN851-11-PN..	G1/4	G1/8	3 ÷ 10	920	EV36

Electro-pneum. valve, monostable - ext. servo-pilot supply - size 16

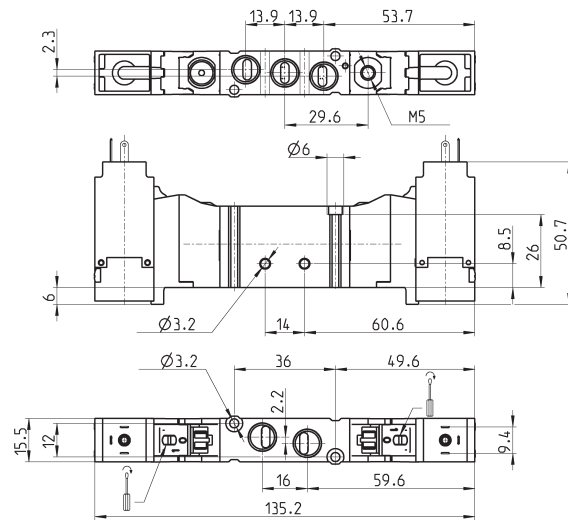
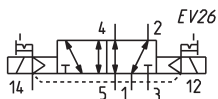
5/2-way


 Connectors: see pages
2/2.07.39-40.


Mod.	Ports	Pilot supply	Pilot supply pressure (bar)	Operating pressure (bar)	Flow (NI/min)
EN531-E16-PN..	G1/8	M5	2,5 + 10	- 0,9 + 10	550

Electro-pneum. valve, bistable - ext. servo-pilot supply - size 16

5/2-way


 Connectors: see pages
2/2.07.39-40.


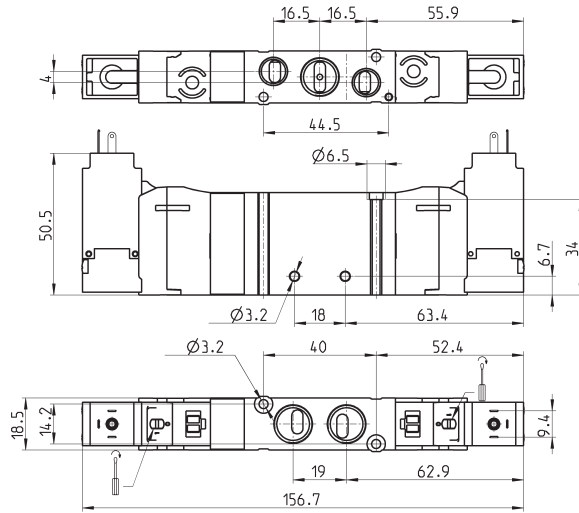
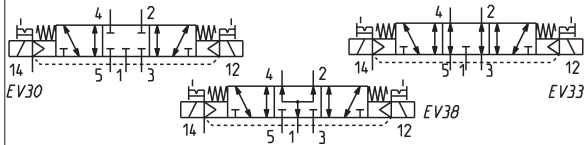
Mod.	Ports	Pilot supply	Pilot supply pressure (bar)	Operating pressure (bar)	Flow (NI/min)
EN531-E11-PN..	G1/8	M5	2 + 10	- 0,9 + 10	550

Electro-pneum. valve - ext. servo-pilot supply - size 16

5/3-way
 CC = Centres Closed
 CO = Centres Open
 CP = Pressure Centres



Connectors: see pages
 2/2.07.39-40.



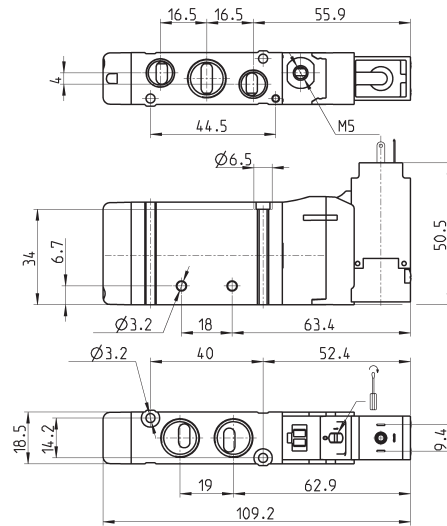
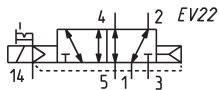
Mod.	Ports	Pilot supply	Pilot supply pressure (bar)	Operating pressure (bar)	Flow (NI/min)	Symbol
EN631-E11-PN..	G1/8	M5	3 ÷ 10	-0,9 ÷ 10	550	EV30
EN731-E11-PN..	G1/8	M5	3 ÷ 10	-0,9 ÷ 10	550	EV33
EN831-E11-PN..	G1/8	M5	3 ÷ 10	-0,9 ÷ 10	550	EV38

Electro-pneum. valve, monostable - ext. servo-pilot supply - size 19

5/2-way



Connectors see pages
 2/2.07.39-40.



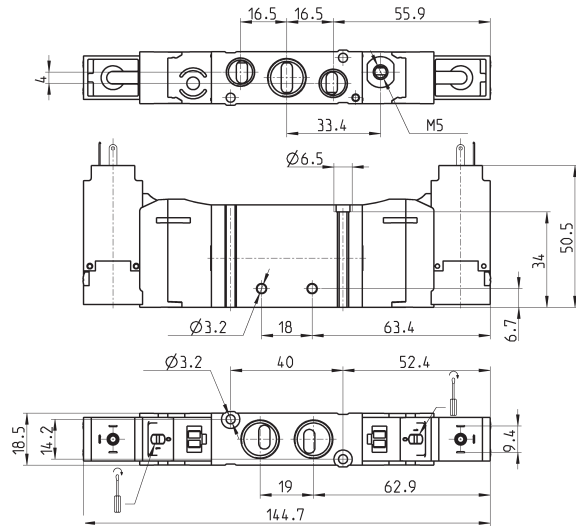
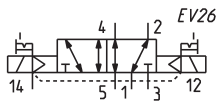
Mod.	Ports 1-2-4	Ports 3-5	Pilot supply	Pilot supply pressure (bar)	Operating pressure (bar)	Flow (NI/min)
EN551-E16-PN..	G1/4	G1/8	M5	2,5 ÷ 10	- 0,9 ÷ 10	920

Electro-pneum. valve, bistable - ext. servo-pilot supply - size 19

5/2-way



Connectors: see pages 2/2.07.39-40.



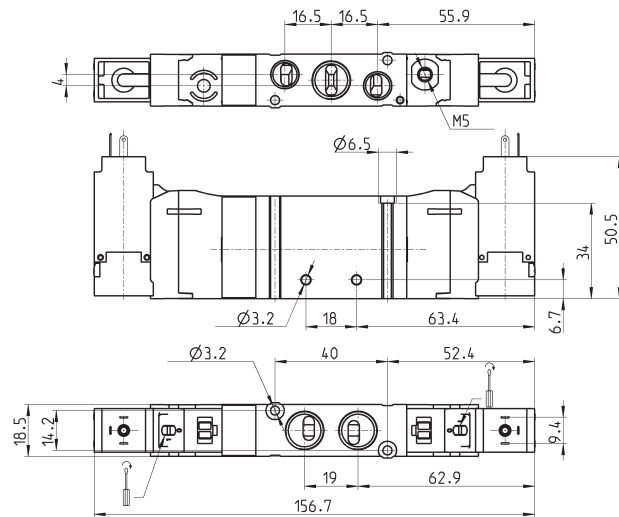
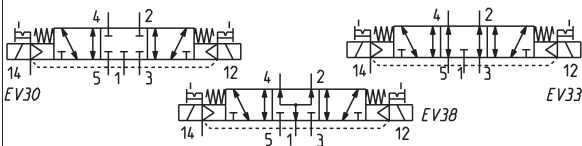
Mod.	Ports 1-2-4	Ports 3-5	Pilot supply	Pilot supply pressure (bar)	Operating pressure (bar)	Flow (NI/min)
EN551-E11-PN..	G1/4	G1/8	M5	2 + 10	-0,9 + 10	920

Electro-pneum. valve - ext. servo-pilot supply - size 19

5/3-way

 CC = Centres Closed
 CO = Centres Open
 CP = Pressure Centres


Connectors: see pages 2/2.07.39-40.



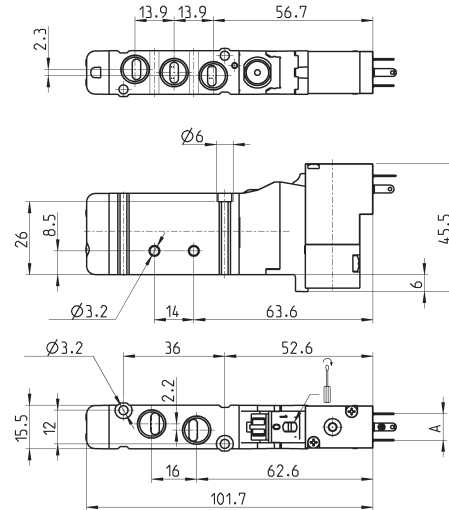
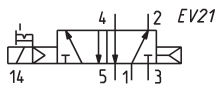
Mod.	Ports 1-2-4	Ports 3-5	Pilot supply	Pilot supply pressure (bar)	Operating pressure (bar)	Flow (NI/min)	Symbol
EN651-E11-PN..	G1/4	G1/8	M5	3 + 10	-0,9 + 10	920	EV30
EN751-E11-PN..	G1/4	G1/8	M5	3 + 10	-0,9 + 10	920	EV33
EN851-E11-PN..	G1/4	G1/8	M5	3 + 10	-0,9 + 10	920	EV38

Electro-pneum. valve, monostable, solenoid P, W - size 16

5/2-way



Connectors: see pages 2/2.07.39-40.



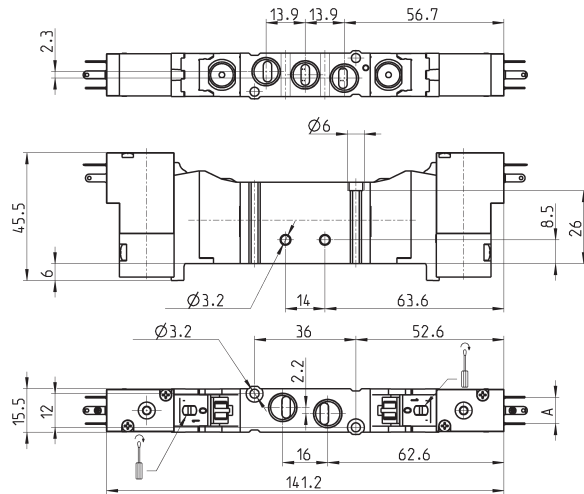
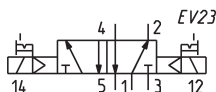
Mod.	Ports	A	Operating pressure (bar)	Flow (Nl/min)
EN531-16-P13	G1/8	9,4	2,5 + 10	550
EN531-16-P54	G1/8	9,4	2,5 + 10	550
EN531-16-P56	G1/8	9,4	2,5 + 10	550
EN531-16-W53	G1/8	8	2,5 + 10	550
EN531-16-W54	G1/8	8	2,5 + 10	550

Electro-pneum. valve, bistable, solenoid P, W - size 16

5/2-way



Connectors: see pages 2/2.07.39-40.



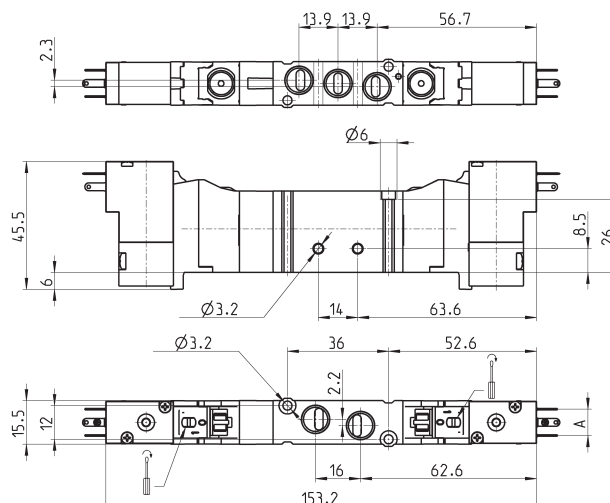
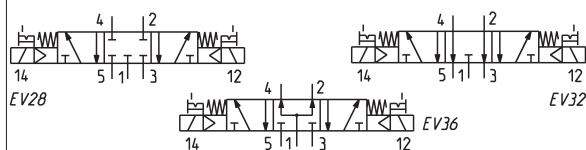
Mod.	Ports	A	Operating pressure (bar)	Flow (Nl/min)
EN531-11-P13	G1/8	9,4	2 + 10	550
EN531-11-P54	G1/8	9,4	2 + 10	550
EN531-11-P56	G1/8	9,4	2 + 10	550
EN531-11-W53	G1/8	8	2 + 10	550
EN531-11-W54	G1/8	8	2 + 10	550

Electro-pneumatic valve, solenoid P, W - size 16

5/3-way
 CC = Centres Closed
 CO = Centres Open
 CP = Pressure Centres



Connectors: see pages
 2/2.07.39-40.



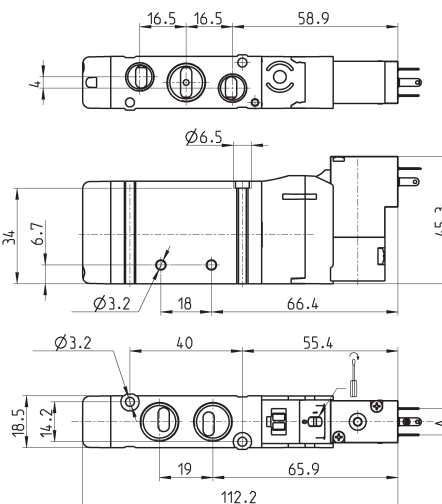
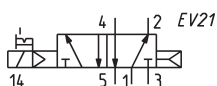
Mod.	Ports	A	Operating pressure (bar)	Flow (NI/min)	Symbol
EN631-11-P..	G1/8	9,4	3 + 10	550	EV28
EN731-11-P..	G1/8	9,4	3 + 10	550	EV32
EN831-11-P..	G1/8	9,4	3 + 10	550	EV36
EN631-11-W..	G1/8	8	3 + 10	550	EV28
EN731-11-W..	G1/8	8	3 + 10	550	EV32
EN831-11-W..	G1/8	8	3 + 10	550	EV36

Electro-pneum. valve, monostable, solenoid P, W - size 19

5/2-way



Connectors: see pages
 2/2.07.39-40.



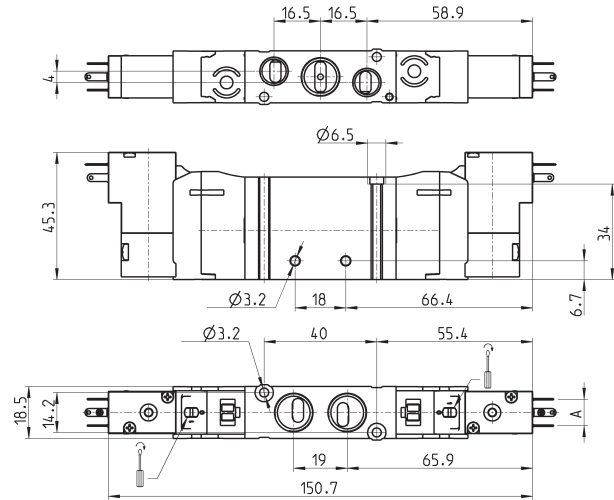
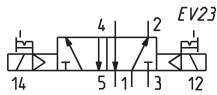
Mod.	Ports 1-2-4	Ports 3-5	A	Operating pressure (bar)	Flow (NI/min)
EN551-16-P13	G1/4	G1/8	9,4	2,5 + 10	920
EN551-16-P54	G1/4	G1/8	9,4	2,5 + 10	920
EN551-16-P56	G1/4	G1/8	9,4	2,5 + 10	920
EN551-16-W53	G1/4	G1/8	8	2,5 + 10	920
EN551-16-W54	G1/4	G1/8	8	2,5 + 10	920

Electro-pneum. valve, bistable, solenoid P, W - size 19

5/2-way



Connectors: see pages 2/2.07.39-40.



Mod.	Ports 1-2-4	Ports 3-5	A	Operating pressure (bar)	Flow (NI/min)
EN551-11-P13	G1/4	G1/8	9,4	2 + 10	920
EN551-11-P54	G1/4	G1/8	9,4	2 + 10	920
EN551-11-P56	G1/4	G1/8	9,4	2 + 10	920
EN551-11-W53	G1/4	G1/8	8	2 + 10	920
EN551-11-W54	G1/4	G1/8	8	2 + 10	920

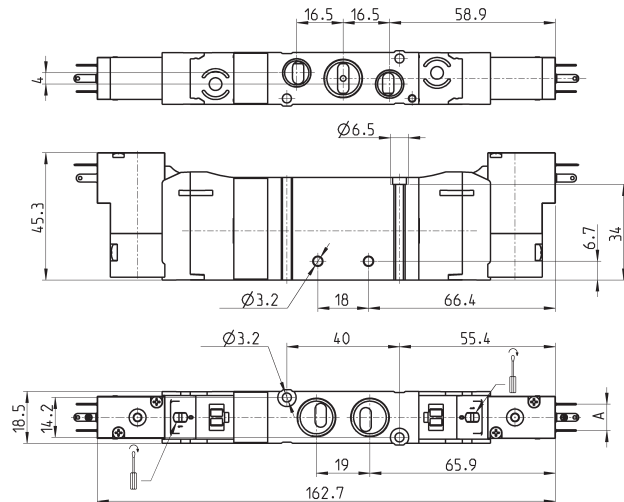
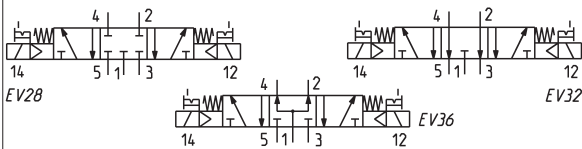
Electro-pneumatic valve, solenoid P, W - size 19

5/3-way

CC = Centres Closed
CO = Centres Open
CP = Pressure Centres



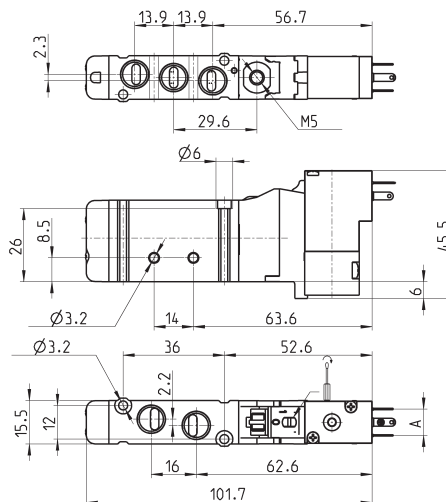
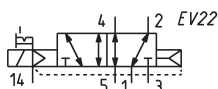
Connectors: see pages 2/2.07.39-40.



Mod.	Ports 1-2-4	Ports 3-5	A	Operating pressure (bar)	Flow (NI/min)	Symbol
EN651-11-P..	G1/4	G1/8	9,4	3 + 10	920	EV28
EN751-11-P..	G1/4	G1/8	9,4	3 + 10	920	EV32
EN851-11-P..	G1/4	G1/8	9,4	3 + 10	920	EV36
EN651-11-W..	G1/4	G1/8	8	3 + 10	920	EV28
EN751-11-W..	G1/4	G1/8	8	3 + 10	920	EV32
EN851-11-W..	G1/4	G1/8	8	3 + 10	920	EV36

Electro-pneum. valve, monost. ext. servo-pilot sup., sol. P/W - size 16

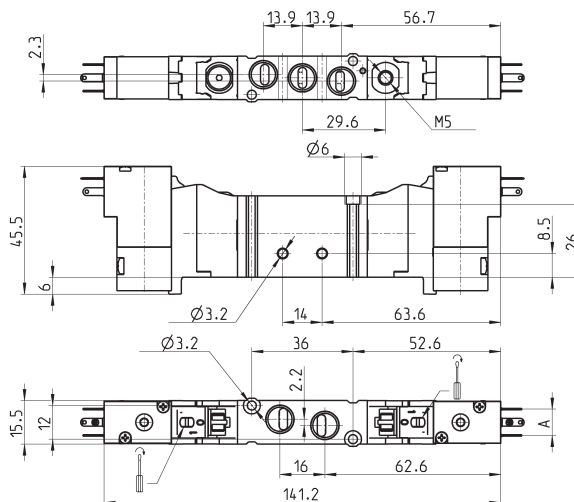
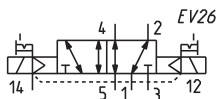
5/2-way


 Connectors: see pages
2/2.07.39-40.


Mod.	Ports	A	Pilot supply	Pilot supply pressure (bar)	Operating pressure (bar)	Flow (NI/min)
EN531-E16-P..	G1/8	9,4	M5	2,5 + 10	-0,9 + 10	550
EN531-E16-W..	G1/8	8	M5	2,5 + 10	-0,9 + 10	550

Electro-pneum. valve, bistable ext. servo-pilot sup., sol. P/W - size 16

5/2-way


 Connectors: see pages
2/2.07.39-40.


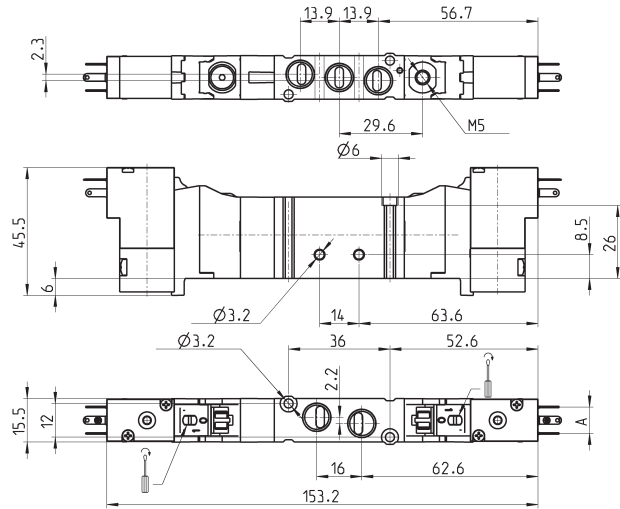
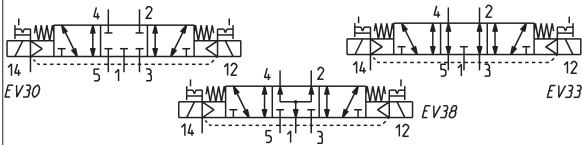
Mod.	Ports	A	Pilot supply	Pilot supply pressure (bar)	Operating pressure (bar)	Flow (NI/min)
EN531-E11-P..	G1/8	9,4	M5	2 + 10	-0,9 + 10	550
EN531-E11-W..	G1/8	8	M5	2 + 10	-0,9 + 10	550

Electro-pneum. valve, ext. servo-pilot supply, solenoid P, W - size 16

5/3-way
 CC = Centres Closed
 CO = Centres Open
 CP = Pressure Centres



Connectors: see pages
 2/2.07.39-40.



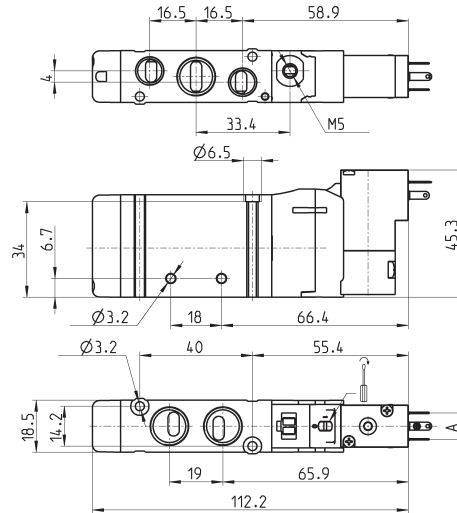
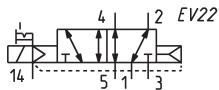
Mod.	Ports	A	Pilot supply	Pilot supply pressure (bar)	Operating pressure (bar)	Flow (NI/min)	Symbol
EN631-E11-P..	G1/8	9,4	M5	3 + 10	-0,9 + 10	550	EV30
EN731-E11-P..	G1/8	9,4	M5	3 + 10	-0,9 + 10	550	EV33
EN831-E11-P..	G1/8	9,4	M5	3 + 10	-0,9 + 10	550	EV38
EN631-E11-W..	G1/8	8	M5	3 + 10	-0,9 + 10	550	EV30
EN731-E11-W..	G1/8	8	M5	3 + 10	-0,9 + 10	550	EV33
EN831-E11-W..	G1/8	8	M5	3 + 10	-0,9 + 10	550	EV38

Electro-pneum. valve, monost. ext. servo-pilot sup., sol. P/W - size 19

5/2-way



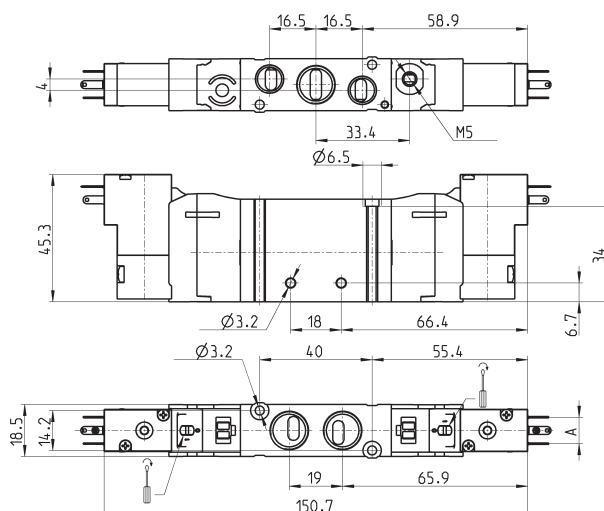
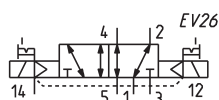
Connectors: see pages
 2/2.07.40-41.



Mod.	Ports 1-2-4	Ports 3-5	A	Pilot supply	Pilot supply pressure (bar)	Operating pressure (bar)	Flow (NI/min)
EN551-E16-P..	G1/4	G1/8	9,4	M5	2,5 + 10	-0,9 + 10	920
EN551-E16-W..	G1/4	G1/8	8	M5	2,5 + 10	-0,9 + 10	920

Electro-pneum. valve, bistable ext. servo-pilot sup., sol. P/W - size 19

5/2-way

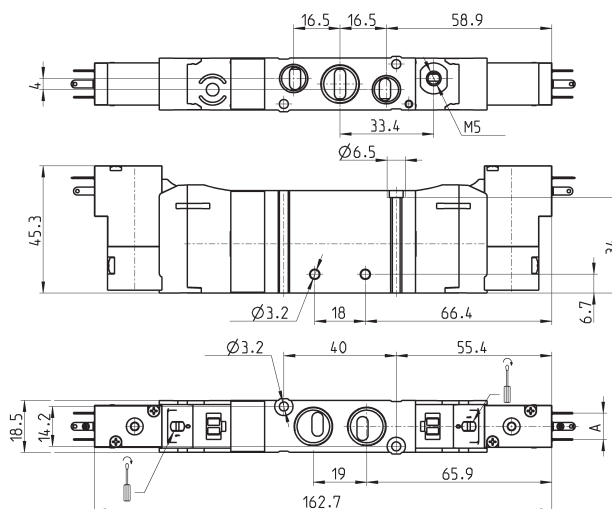
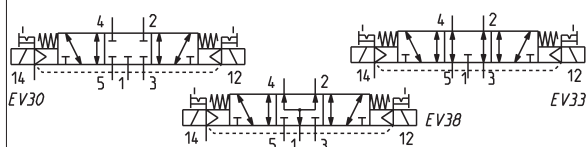

 Connectors: see pages
2/2.07.39-40.


Mod.	Ports 1-2-4	Ports 3-5	A	Pilot supply	Pilot supply pressure (bar)	Operating pressure (bar)	Flow (NI/min)
EN551-E11-P..	G1/4	G1/8	9,4	M5	2 + 10	-0,9 + 10	920
EN551-E11-W..	G1/4	G1/8	8	M5	2 + 10	-0,9 + 10	920

Electro-pneum. valve, ext. servo-pilot supply, solenoid P, W - size 19

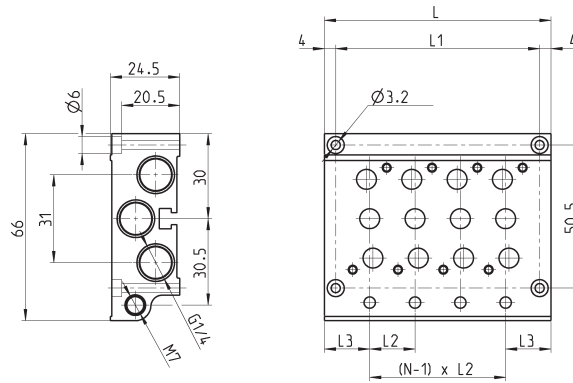
5/3-way

 CC = Centres Closed
CO = Centres Open
CP = Pressure Centres

 Connectors: see pages
2/2.07.39-40.


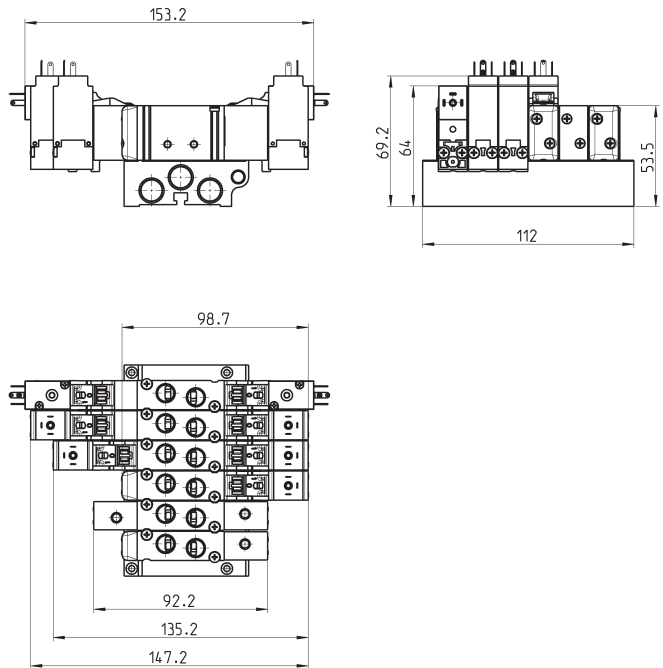
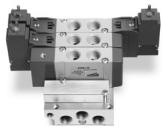
Mod.	Ports 1-2-4	Ports 3-5	A	Pilot supply	Pilot supply pressure (bar)	Operating pressure (bar)	Flow (NI/min)	Symbol
EN651-E11-P..	G1/4	G1/8	9,4	M5	3 + 10	-0,9 + 10	920	EV30
EN751-E11-P..	G1/4	G1/8	9,4	M5	3 + 10	-0,9 + 10	920	EV33
EN851-E11-P..	G1/4	G1/8	9,4	M5	3 + 10	-0,9 + 10	920	EV38
EN651-E11-W..	G1/4	G1/8	8	M5	3 + 10	-0,9 + 10	920	EV30
EN751-E11-W..	G1/4	G1/8	8	M5	3 + 10	-0,9 + 10	920	EV33
EN851-E11-W..	G1/4	G1/8	8	M5	3 + 10	-0,9 + 10	920	EV38

Manifold for valves size 16 and 19 (outlets on the body valve)

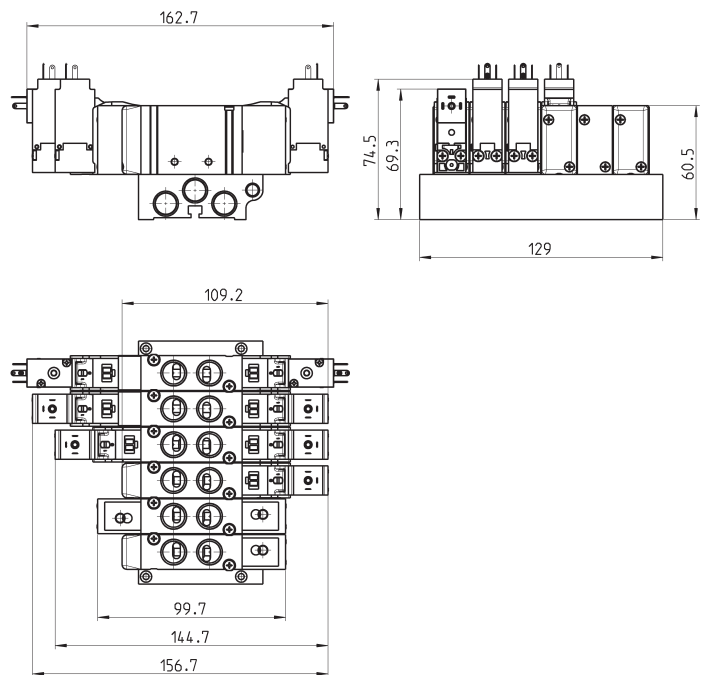


Mod.	Nr of valve positions	L	L1	L2	L3
EN531-1002	2	48	40	16	16
EN531-1003	3	64	56	16	16
EN531-1004	4	80	72	16	16
EN531-1005	5	96	88	16	16
EN531-1006	6	112	104	16	16
EN531-1008	8	144	136	16	16
EN531-1010	10	176	168	16	16
EN531-1012	12	208	200	16	16
EN551-1002	2	53	45	19	17
EN551-1003	3	72	64	19	17
EN551-1004	4	91	83	19	17
EN551-1005	5	110	102	19	17
EN551-1006	6	129	121	19	17
EN551-1008	8	167	159	19	17
EN551-1010	10	205	197	19	17
EN551-1012	12	243	235	19	17

Manifolds complete with valves with outlets on the body - size 16
ports G1/8



Manifolds complete with valves with outlets on the body - size 19
ports G1/4



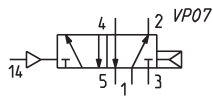
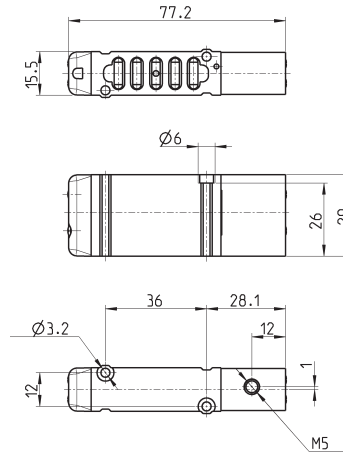
CODING EXAMPLE

EN	5	3	0	-	11	-	PN3
-----------	----------	----------	----------	----------	-----------	----------	------------

EN	SERIES
5	<p>FUNCTION:</p> <p>5 = 5/2 6 = 5/3 Centre Closed 7 = 5/3 Centre Open 8 = 5/3 Pressure Centre</p>
3	<p>SIZE:</p> <p>3 = size 16 5 = size 19</p>
0	<p>BODY TYPE:</p> <p>0 = body for sub-base</p>
11	<p>ACTUATION:</p> <p>11 = electro-pneumatic, bistable 16 = electro-pneumatic, monostable 33 = pneumatic bistable 36 = pneumatic monostable E11 = electro-pneumatic, bistable with external servo-pilot supply E16 = electro-pneumatic, monostable with external servo-pilot supply</p>
PN3	<p>TYPE OF SOLENOID:</p> <p>PN3 = 24V DC - 1W PN4 = 48V DC - 2W PN6 = 110V DC - 2W PN7 = 230V - 2W P13 = 24V DC - 1W P54 = 48V DC - 2W P56 = 110V DC - 2W W53 = 24V DC - 2W W54 = 48V DC - 2W</p> <p>In case of applications with alternate current, use a bridge rectifier connector (see pag. 2/2.07.40)</p>

Monostable pneumatic valve with outlets on sub-base - size 16

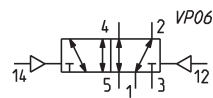
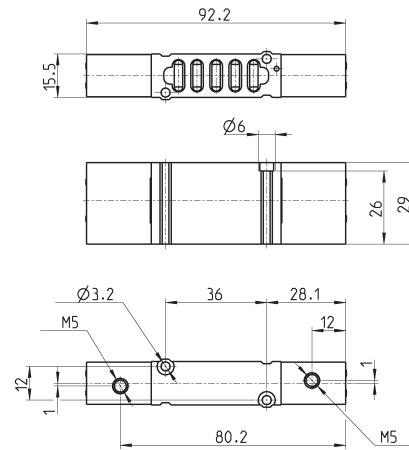
5/2-way



Mod.	Pilot supply	min. pilot Pressure (bar)	Working pressure (bar)	Flow rate (NI/min)
EN530-36	M5	2,5	2,5 + 10	610

Bistable pneumatic valve with outlets on sub-base - size 16

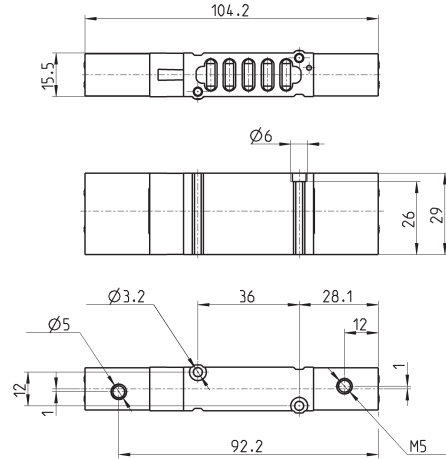
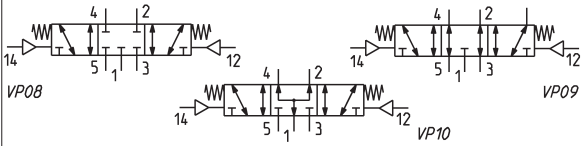
5/2-way



Mod.	Pilot supply	min. pilot pressure (bar)	Working pressure (bar)	Flow rate (NI/min)
EN530-33	M5	2	-0,9 + 10	610

Pneumatically actuated valve with outlets on sub-base - size 16

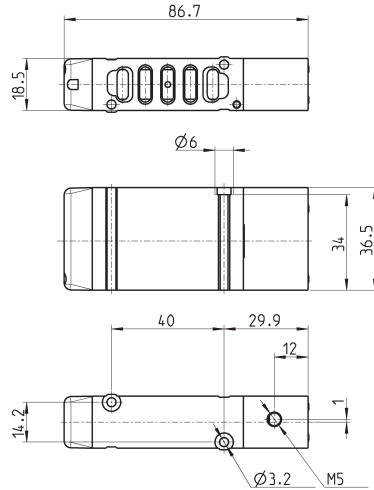
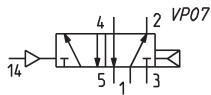
5/3-way
 CC = Centres Closed
 CO = Centres Open
 CP = Centres in Pressure



Mod.	Pilot supply	min. pilot pressure (bar)	Working pressure (bar)	Flow rate (NI/min)	Symbol
EN630-33	M5	3	-0,9 ÷ 10	610	VP08
EN730-33	M5	3	-0,9 ÷ 10	610	VP09
EN830-33	M5	3	-0,9 ÷ 10	610	VP10

Pneumatic valve, monostable with outlets on sub-base - size 19

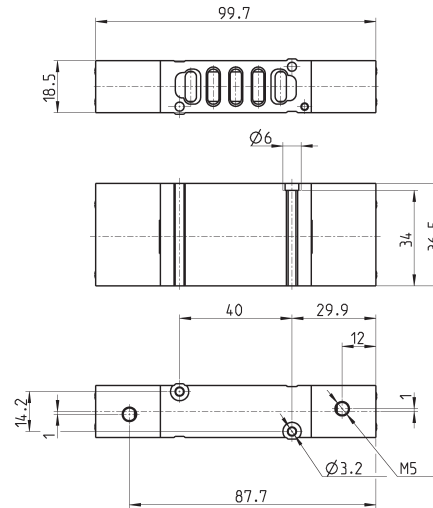
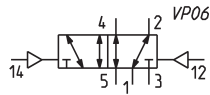
5/2-way



Mod.	Pilot supply	min. pilot pressure (bar)	working P. (bar)	Flow rate (NI/min)
EN550-36	M5	2,5	2 ÷ 10	1000

Pneumatic valve, bistable with outlets on sub-base - size 19

5/2-way



Mod.	Pilot supply	min. pilot pressure (bar)	Working pressure (bar)	Flow rate NI/min
EN550-33	M5	2	-0,9 + 10	1000

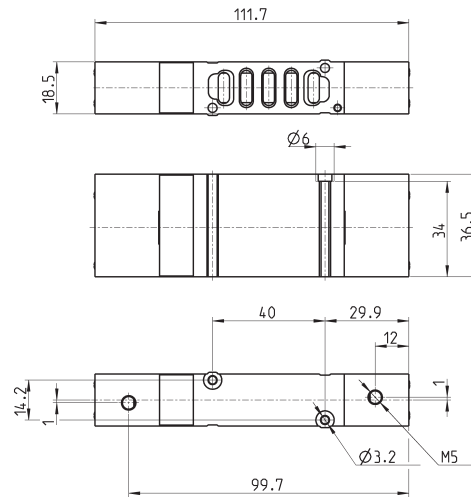
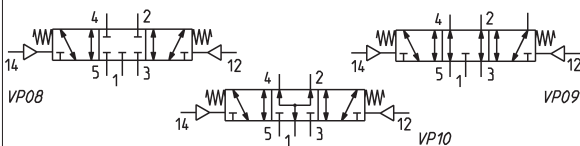
Pneumatically actuated valve with outlets on sub-base - size 19

5/3-way

CC = Centres Closed

CO = Centres Open

CP = Centres in Pressure



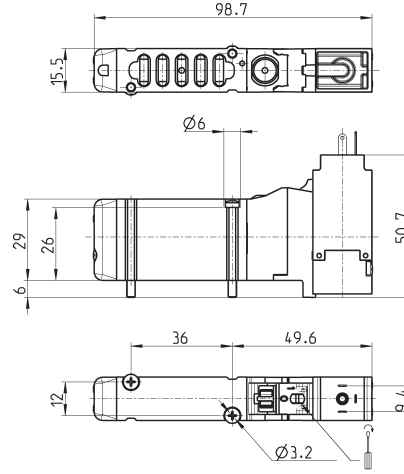
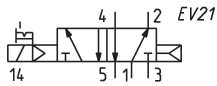
Mod.	Pilot supply	min. pilot pressure (bar)	working P. bar	Flow rate NI/min	Symbol
EN650-33	M5	3	-0,9 + 10	1000	VP08
EN750-33	M5	3	-0,9 + 10	1000	VP09
EN850-33	M5	3	-0,9 + 10	1000	VP10

Electropneumatic valve, monostable with outlets on sub-base - s. 16

5/2-way



Connectors: see pages 2/2.07.39-40.



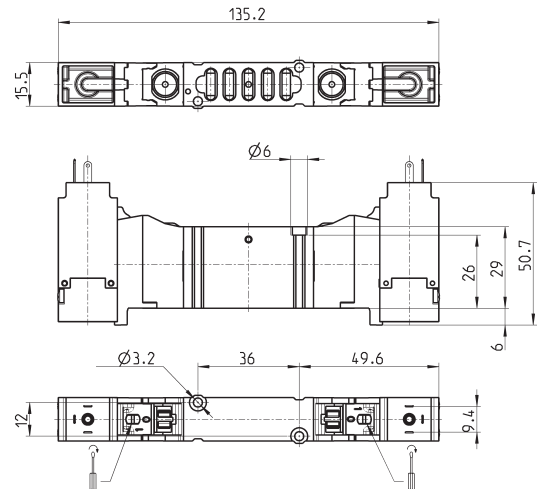
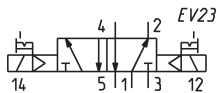
Mod.	Working pressure (bar)	Flow rate (NI/min)
EN530-16-PN..	2,5 ÷ 10	610

Electropneumatic valve, bistable with outlets on sub-base - size 16

5/2-way



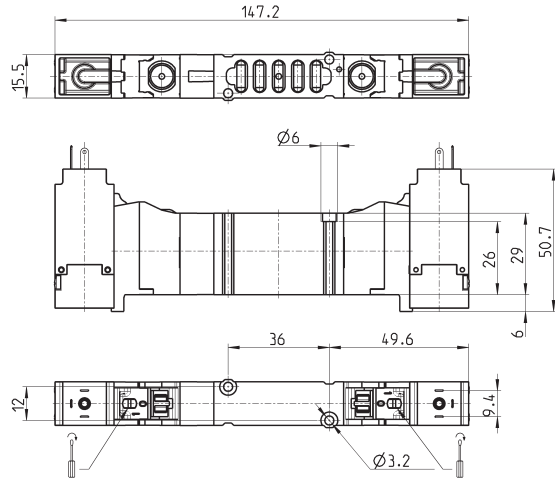
Connectors: see pages 2/2.07.39-40.



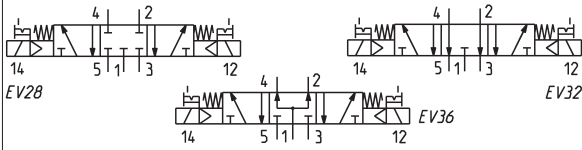
Mod.	Working pressure (bar)	Flow rate (NI/min)
EN530-11-PN..	2 ÷ 10	610

Electropneumtical valve with outlets on sub-base - size 16

5/3-way
 CC = Centres Closed
 CO = Centres Open
 CP = Centres in Pressure



Connectors: see pages
 2/2.07.39-40.


2
CONTROL

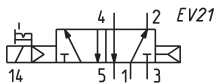
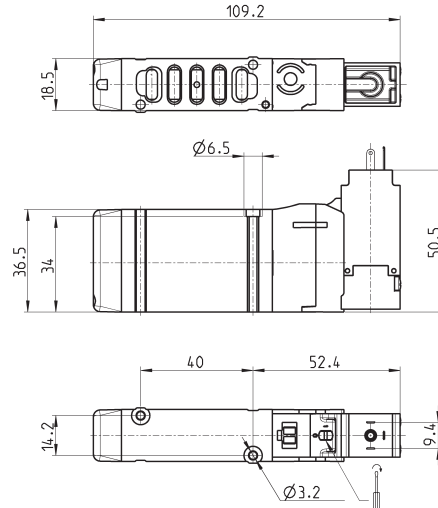
Mod.	Working pressure (bar)	Flow rate (NI/min)	Symbol
EN630-11-PN..	3 + 10	610	EV28
EN730-11-PN..	3 + 10	610	EV32
EN830-11-PN..	3 + 10	610	EV36

Electropneumatic valve, monostable with outlets on sub-base - s. 19

5/2-way



Connectors: see pages
 2/2.07.39-40.



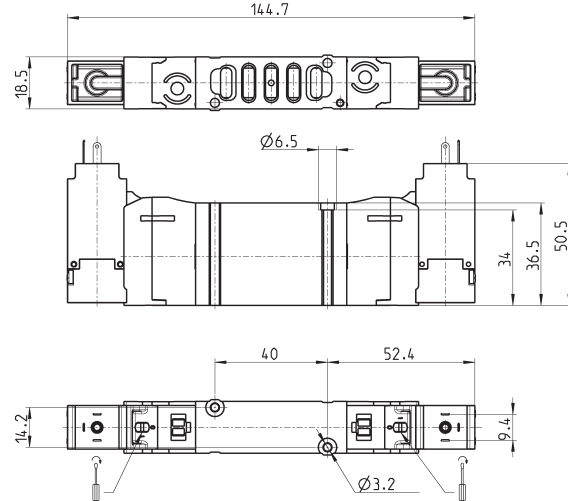
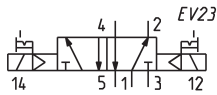
Mod.	Working pressure (bar)	Flow rate (NI/min)
EN550-16-PN..	2,5 + 10	1000

Electropneumatic valve, bistable with outlets on sub-base - size 19

5/2-way



Connectors: see pages 2/2.07.39-40.



Mod.	Working pressure (bar)	Flow rate (NI/min)
EN550-11-PN..	2 + 10	1000

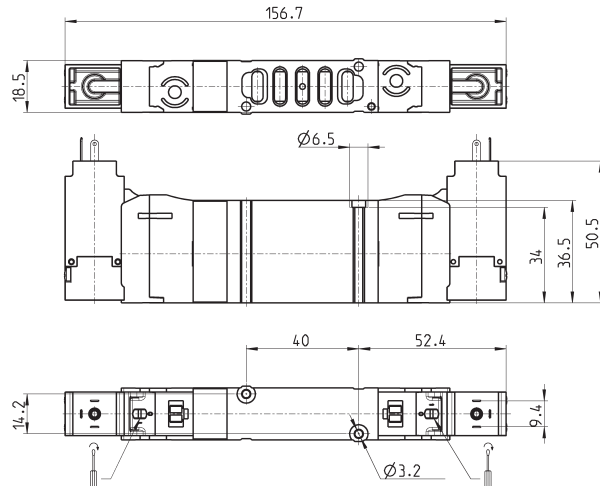
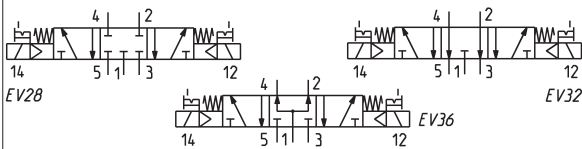
Electropneumatic valve with outlets on sub-base - size 19

5/3-way

- CC = Centres Closed
- CO = Centres Open
- CP = Centres in Pressure



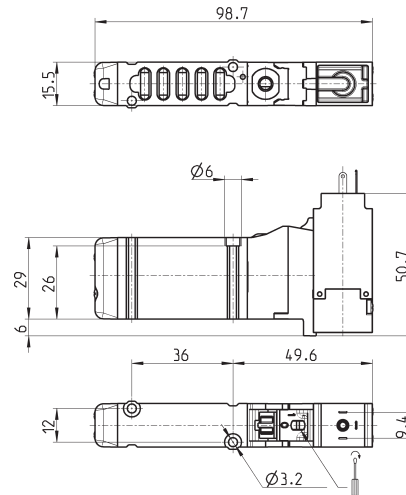
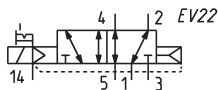
Connectors: see pages 2/2.07.39-40.



Mod.	Working pressure (bar)	Flow rate (NI/min)	Symbol
EN650-11-PN..	3 + 10	1000	EV28
EN750-11-PN..	3 + 10	1000	EV32
EN850-11-PN..	3 + 10	1000	EV36

Electro-pn. monost. valve, ext. pilot supply, outlets on sub-base - s. 16

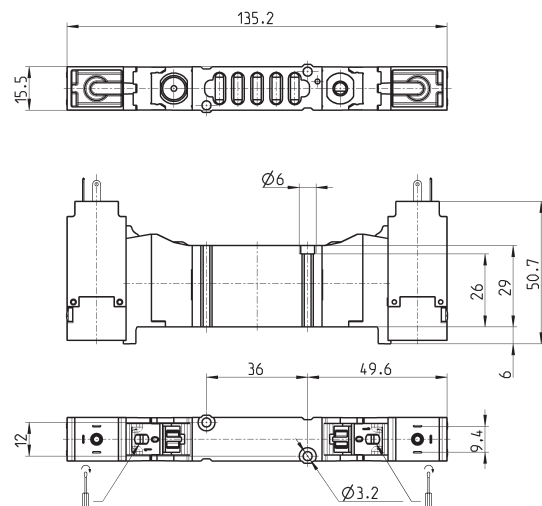
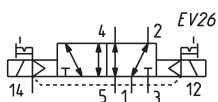
5/2-way


 Connectors: see pages
2/2.07.39-40.


Mod.	Pilot supply pressure (bar)	Operating pressure (bar)	Flow (Nl/min)
EN530-E16-PN..	2,5 ÷ 10	- 0,9 ÷ 10	610

Electro-pn. bistable valve, ext. pilot supply, outlets on sub-base - s. 16

5/2-way


 Connectors: see pages
2/2.07.39-40.


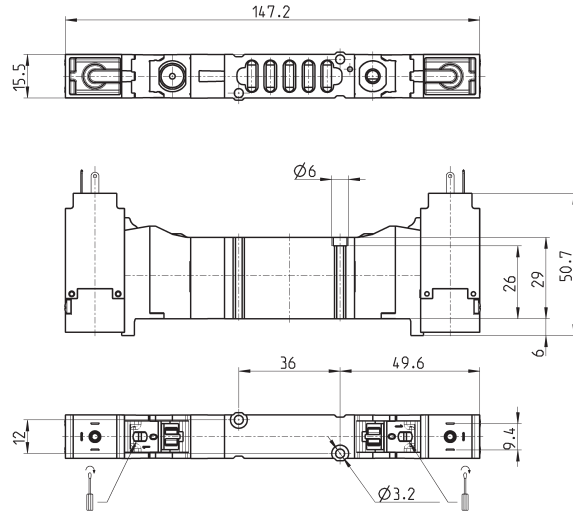
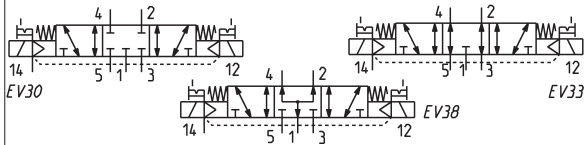
Mod.	Pilot supply pressure (bar)	Operating pressure (bar)	Flow (Nl/min)
EN530-E11-PN..	2 ÷ 10	- 0,9 ÷ 10	610

Electro-pneumatic valve, ext. pilot supply, outlets on sub-base - s. 16

5/3-way
 CC = Centres Closed
 CO = Centres Open
 CP = Centres in Pressure



Connectors: see pages
 2/2.07.39-40.



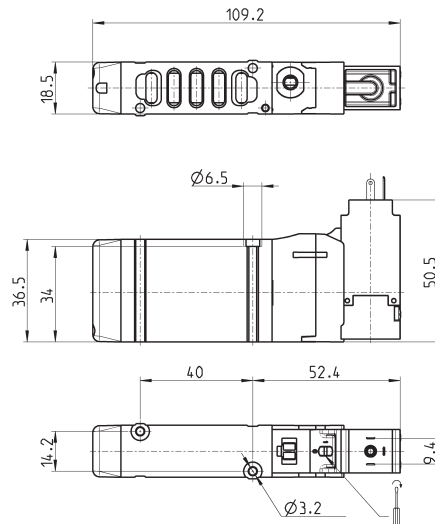
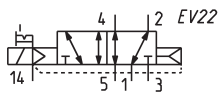
Mod.	Pilot supply pressure (bar)	Operating pressure (bar)	Flow (NI/min)	Symbol
EN630-E11-PN..	3 ÷ 10	-0,9 ÷ 10	610	EV30
EN730-E11-PN..	3 ÷ 10	-0,9 ÷ 10	610	EV33
EN830-E11-PN..	3 ÷ 10	-0,9 ÷ 10	610	EV38

Electro-pn. monost. valve, ext. pilot supply, outlets on sub-base - s. 19

5/2-way



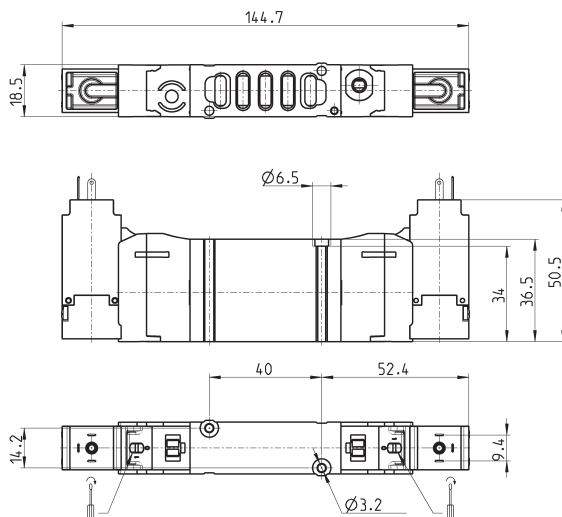
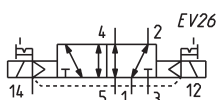
Connectors: see pages
 2/2.07.39-40.



Mod.	Pilot supply pressure (bar)	Operating pressure (bar)	Flow (NI/min)
EN550-E16-PN..	2,5 ÷ 10	- 0,9 ÷ 10	1000

Electro-pn. bistable valve, ext. pilot supply, outlets on sub-base - s. 19

5/2-way

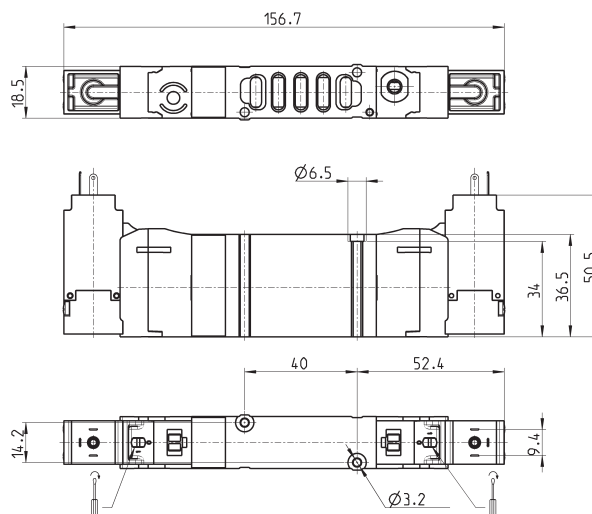
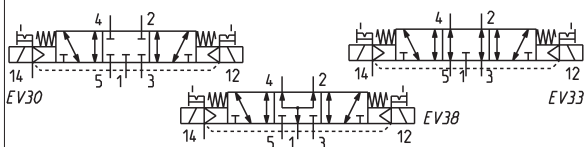

 Connectors: see pages
2/2.07.39-40.


Mod.	Pilot supply pressure (bar)	Operating pressure (bar)	Flow (NI/min)
EN550-E11-PN..	2 + 10	-0,9 + 10	1000

Electro-pneumatic valve, ext. pilot supply, outlets on sub-base - s. 19

5/3-way

 CC = Centres Closed
CO = Centres Open
CP = Centres in Pressure

 Connectors: see pages
2/2.07.39-40.


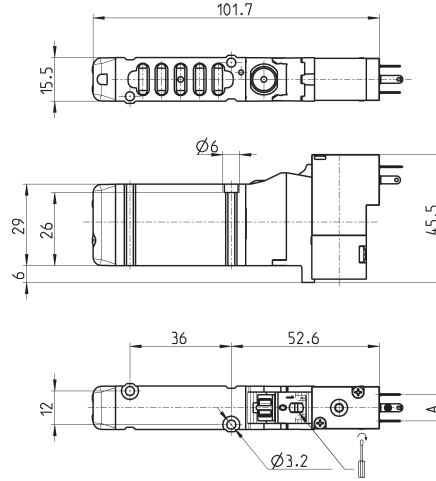
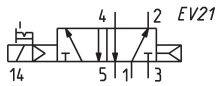
Mod.	Pilot supply pressure (bar)	Operating pressure (bar)	Flow (NI/min)	Symbol
EN650-E11-PN..	3 + 10	-0,9 + 10	1000	EV30
EN750-E11-PN..	3 + 10	-0,9 + 10	1000	EV33
EN850-E11-PN..	3 + 10	-0,9 + 10	1000	EV38

Electro-pn. monostable valve, sol. P / W, outlets on sub-base - s. 16

5/2-way



Connectors: see pages 2/2.07.39-40.



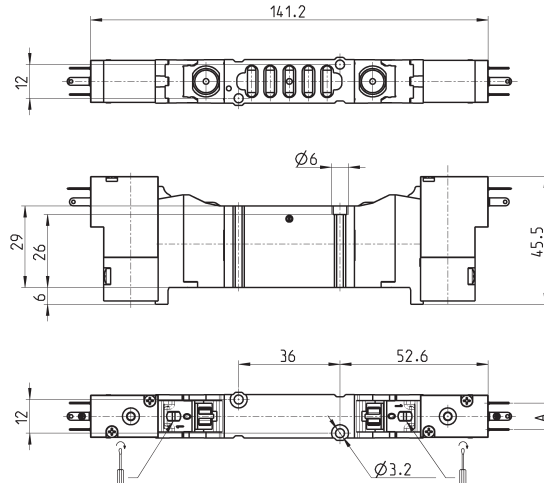
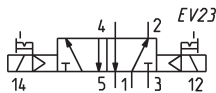
Mod.	A	Operating pressure (bar)	Flow (NI/min)
EN530-16-P13	9,4	2,5 + 10	610
EN530-16-P54	9,4	2,5 + 10	610
EN530-16-P56	9,4	2,5 + 10	610
EN530-16-W53	8	2,5 + 10	610
EN530-16-W54	8	2,5 + 10	610

Electro-pn. bistable valve, sol. P / W, outlets on sub-base - size 16

5/2-way



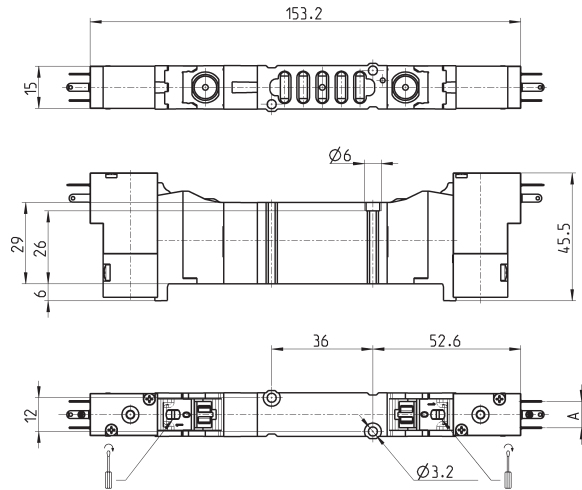
Connectors: see pages 2/2.07.39-40.



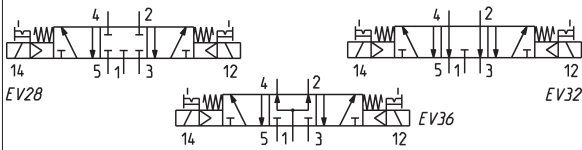
Mod.	A	Operating pressure (bar)	Flow (NI/min)
EN530-11-P13	9,4	2 + 10	610
EN530-11-P54	9,4	2 + 10	610
EN530-11-P56	9,4	2 + 10	610
EN530-11-W53	8	2 + 10	610
EN530-11-W54	8	2 + 10	610

Electro-pneumatic valve, sol. P / W, outlets on sub-base - size 16

5/3-way
 CC = Centres Closed
 CO = Centres Open
 CP = Centres in Pressure



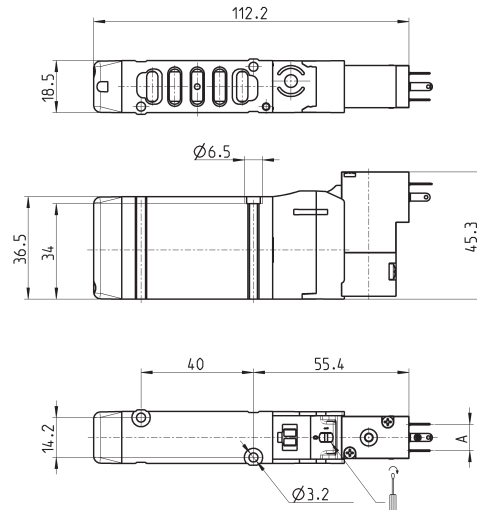
Connectors: see pages
 2/2.07.39-40.



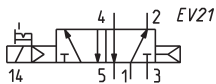
Mod.	A	Operating pressure (bar)	Flow (NI/min)	Symbol
EN630-11-P..	9,4	3 + 10	610	EV28
EN730-11-P..	9,4	3 + 10	610	EV32
EN830-11-P..	9,4	3 + 10	610	EV36
EN630-11-W..	8	3 + 10	610	EV28
EN730-11-W..	8	3 + 10	610	EV32
EN830-11-W..	8	3 + 10	610	EV36

Electro-pn. monostable valve, sol. P / W, outlets on sub-base - s. 19

5/2-way



Connectors: see pages
 2/2.07.39-40.



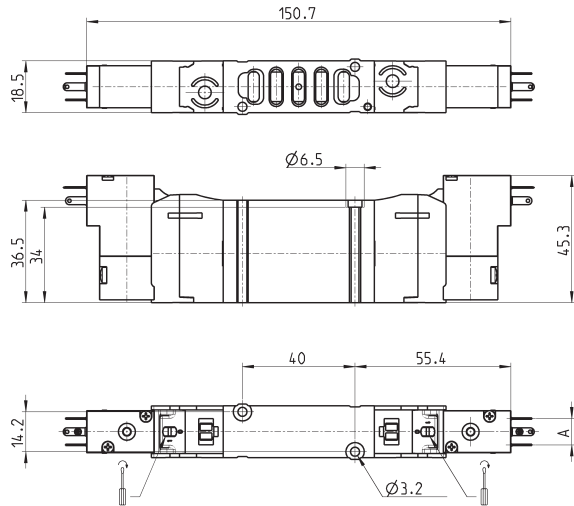
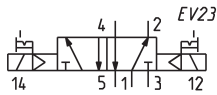
Mod.	Operating pressure (bar)	Flow (NI/min)
EN550-16-P13	2,5 + 10	1000
EN550-16-P54	2,5 + 10	1000
EN550-16-P56	2,5 + 10	1000
EN550-16-W53	2,5 + 10	1000
EN550-16-W54	2,5 + 10	1000

Electro-pn. bistable valve, sol. P / W, outlets on sub-base - size 19

5/2-way



Connectors: see pages 2/2.07.39-40.



Mod.	A	Operating pressure (bar)	Flow (NI/min)
EN550-11-P13	9,4	2 + 10	1000
EN550-11-P54	9,4	2 + 10	1000
EN550-11-P56	9,4	2 + 10	1000
EN550-11-W53	8	2 + 10	1000
EN550-11-W54	8	2 + 10	1000

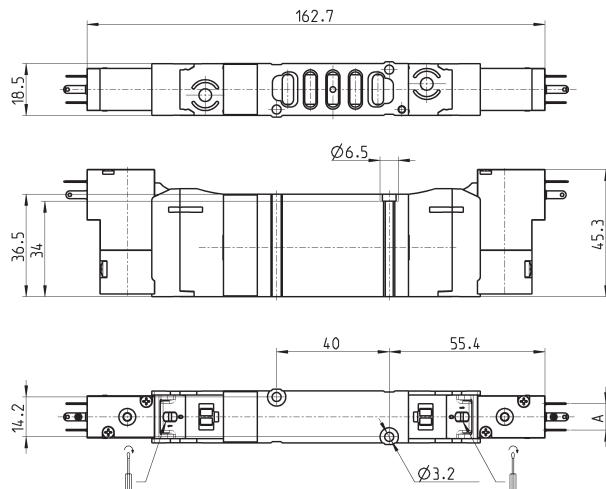
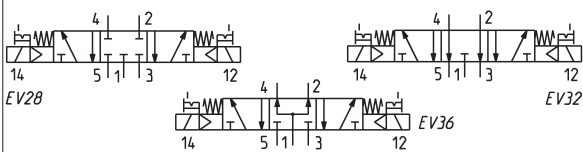
Electro-pneumatic valve, sol. P / W, outlets on sub-base - size 19

5/3-way

CC = Centres Closed
CO = Centres Open
CP = Centres in Pressure



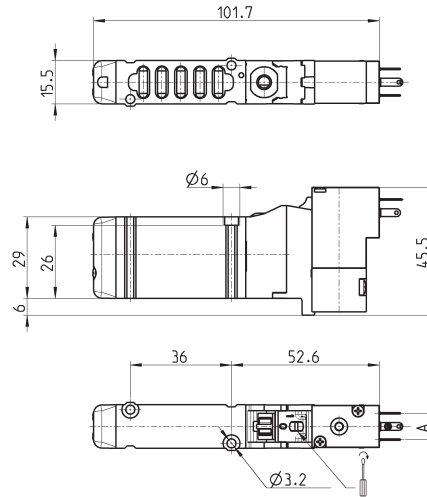
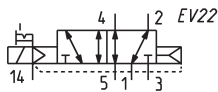
Connectors: see pages 2/2.07.39-40.



Mod.	A	Operating pressure (bar)	Flow (NI/min)	Symbol
EN650-11-P..	9,4	3 + 10	1000	EV28
EN750-11-P..	9,4	3 + 10	1000	EV32
EN850-11-P..	9,4	3 + 10	1000	EV36
EN650-11-W..	8	3 + 10	1000	EV28
EN750-11-W..	8	3 + 10	1000	EV32
EN850-11-W..	8	3 + 10	1000	EV36

Electro-pn. mono. valve, pilot sup. sol. P / W, outlets on base - s. 16

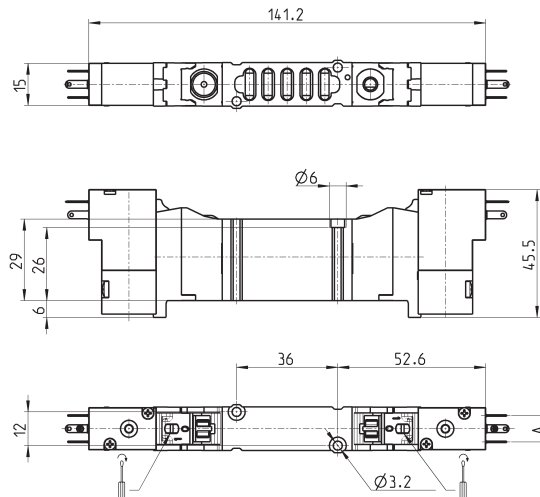
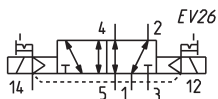
5/2-way


 Connectors: see pages
2/2.07.39-40.


Mod.	A	Pilot supply pressure (bar)	Operating pressure (bar)	Flow (NI/min)
EN530-E16-P..	9,4	2,5 ± 10	-0,9 ± 10	610
EN530-E16-W..	8	2,5 ± 10	-0,9 ± 10	610

Electro-pn. bistab. valve, pilot sup. sol. P / W, outlets on base - s. 16

5/2-way


 Connectors: see pages
2/2.07.39-40.


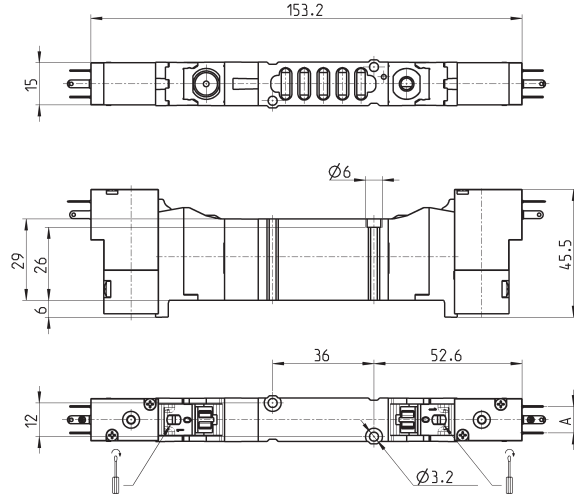
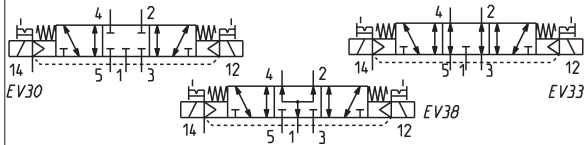
Mod.	A	Pilot supply pressure (bar)	Operating pressure (bar)	Flow (NI/min)
EN530-E11-P..	9,4	2 ± 10	-0,9 ± 10	610
EN530-E11-W..	8	2 ± 10	-0,9 ± 10	610

Electro-pneum. valve, pilot sup. sol. P / W, outlets on base - s. 16

5/3-way
 CC = Centres Closed
 CO = Centres Open
 CP = Centres in Pressure



Connectors: see pages
 2/2.07.39-40.



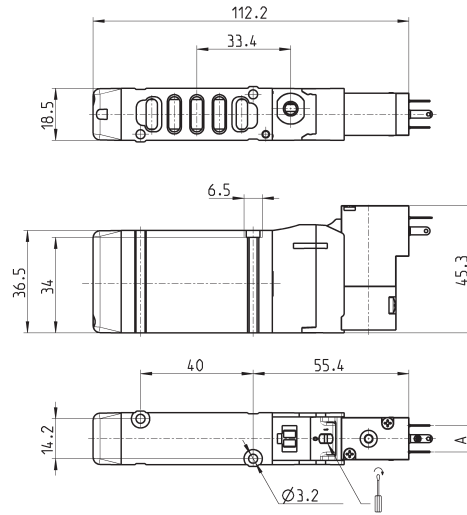
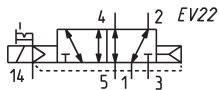
Mod.	A	Pilot supply pressure (bar)	Operating pressure (bar)	Flow (NI/min)	Symbol
EN630-E11-P..	9,4	3 + 10	-0,9 + 10	610	EV30
EN730-E11-P..	9,4	3 + 10	-0,9 + 10	610	EV33
EN830-E11-P..	9,4	3 + 10	-0,9 + 10	610	EV38
EN630-E11-W..	8	3 + 10	-0,9 + 10	610	EV30
EN730-E11-W..	8	3 + 10	-0,9 + 10	610	EV33
EN830-E11-W..	8	3 + 10	-0,9 + 10	610	EV38

Electro-pn. mono. valve, pilot sup. sol. P / W, outlets on base - s. 19

5/2-way



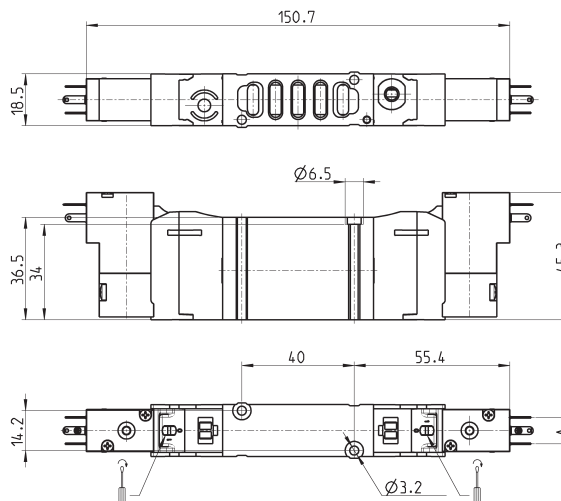
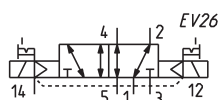
Connectors: see pages
 2/2.07.39-40.



Mod.	A	Pilot supply pressure (bar)	Operating pressure (bar)	Flow (NI/min)
EN550-E16-P..	9,4	2,5 + 10	-0,9 + 10	1000
EN550-E16-W..	8	2,5 + 10	-0,9 + 10	1000

Electro-pn. bistab. valve, pilot sup. sol. P / W, outlets on base - s. 19

5/2-way

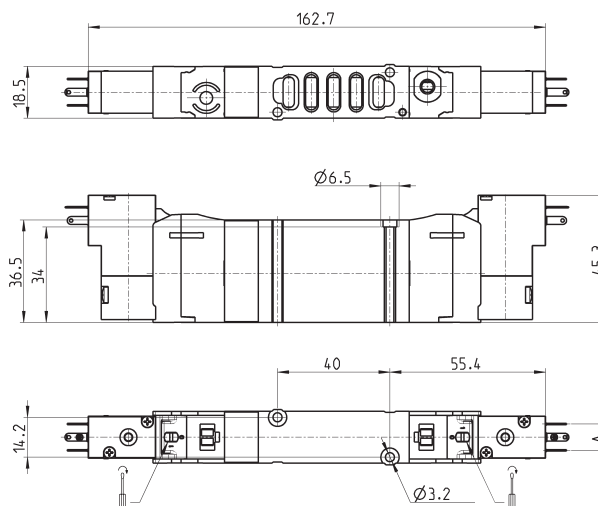
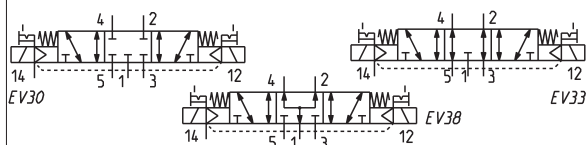

 Connectors: see pages
2/2.07.39-40.


Mod.	A	Pilot supply pressure (bar)	Operating pressure (bar)	Flow (NI/min)
EN550-E11-P..	9,4	2 + 10	-0,9 + 10	1000
EN550-E11-W..	8	2 + 10	-0,9 + 10	1000

Electro-pneum. valve, pilot sup. sol. P / W, outlets on base - s. 19

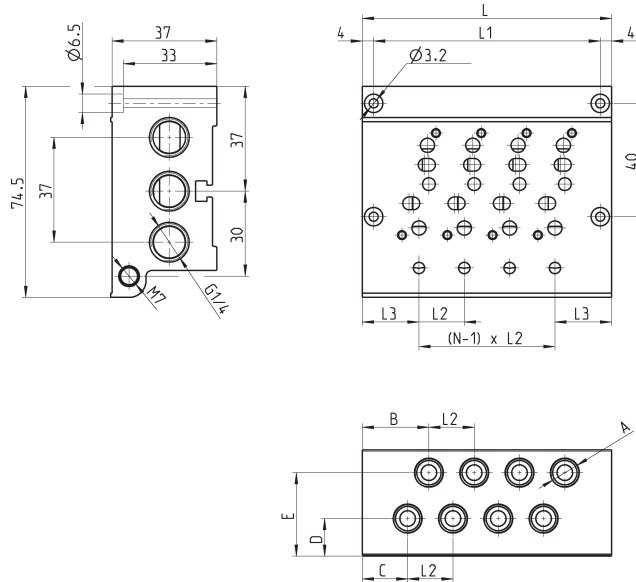
5/3-way

 CC = Centres Closed
CO = Centres Open
CP = Centres in Pressure

 Connectors: see pages
2/2.07.39-40.


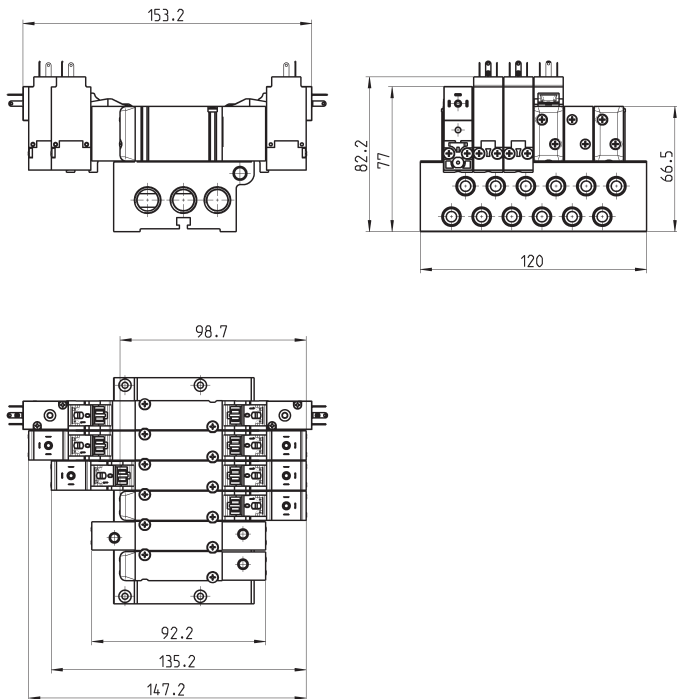
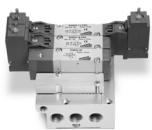
Mod.	A	Pilot supply pressure (bar)	Operating pressure (bar)	Flow (NI/min)	Symbol
EN650-E11-P..	9,4	3 + 10	-0,9 + 10	1000	EV30
EN750-E11-P..	9,4	3 + 10	-0,9 + 10	1000	EV33
EN850-E11-P..	9,4	3 + 10	-0,9 + 10	1000	EV38
EN650-E11-W..	8	3 + 10	-0,9 + 10	1000	EV30
EN750-E11-W..	8	3 + 10	-0,9 + 10	1000	EV33
EN850-E11-W..	8	3 + 10	-0,9 + 10	1000	EV38

Sub-base for valves size 16 and 19 (outlets on manifolds)

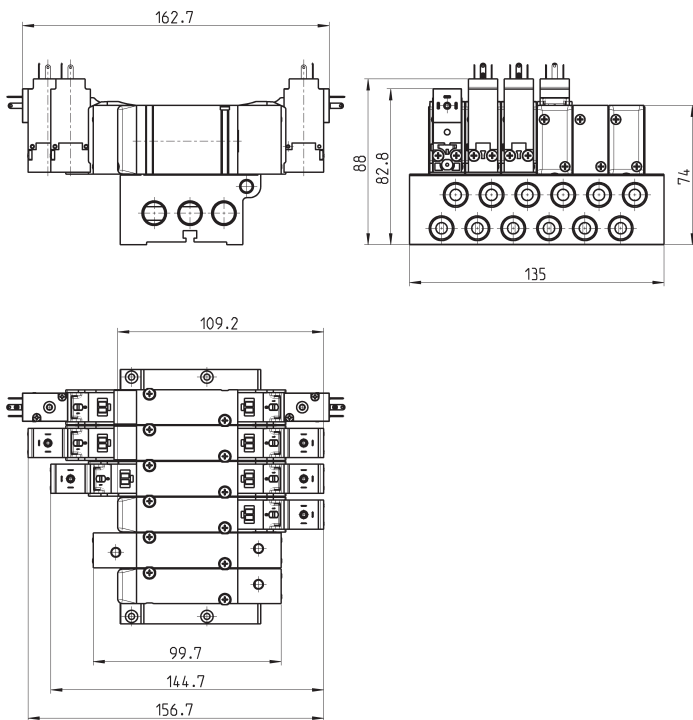
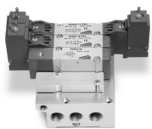


Mod.	Nr of valve positions	A	B	C	D	E	L	L1	L2	L3
EN530-2102	2	G1/8	23,5	16	12,8	29	56	48	16	20
EN530-2103	3	G1/8	23,5	16	12,8	29	72	64	16	20
EN530-2104	4	G1/8	23,5	16	12,8	29	88	80	16	20
EN530-2105	5	G1/8	23,5	16	12,8	29	104	96	16	20
EN530-2106	6	G1/8	23,5	16	12,8	29	120	112	16	20
EN530-2108	8	G1/8	23,5	16	12,8	29	152	144	16	20
EN530-2110	10	G1/8	23,5	16	12,8	29	184	176	16	20
EN530-2112	12	G1/8	23,5	16	12,8	29	216	208	16	20
EN550-2102	2	G1/4	23	15,5	10,5	28,2	59	51	19	20
EN550-2103	3	G1/4	23	15,5	10,5	28,2	78	70	19	20
EN550-2104	4	G1/4	23	15,5	10,5	28,2	97	89	19	20
EN550-2105	5	G1/4	23	15,5	10,5	28,2	116	108	19	20
EN550-2106	6	G1/4	23	15,5	10,5	28,2	135	127	19	20
EN550-2108	8	G1/4	23	15,5	10,5	28,2	173	165	19	20
EN550-2110	10	G1/4	23	15,5	10,5	28,2	211	203	19	20
EN550-2112	12	G1/4	23	15,5	10,5	28,2	249	241	19	20

Manifolds complete with base moutend valves - size 16



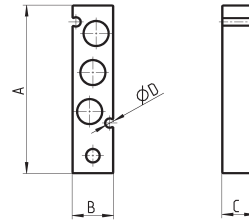
Manifolds complete with base moutend valves - size 19



Blanking plate for manifolds - valves with outlets on the body

The following is supplied:

- 1x blanking plate
- 2x screws
- 1x seal

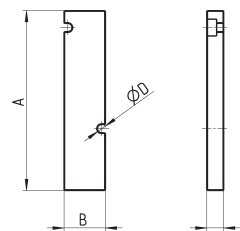


Mod.	Size	A	B	C	ØD
TP-EN531	16	60	14,5	12	3,2
TP-EN551	19	62	17,3	12	3,2

Blanking plate for manifolds - base mounted valves

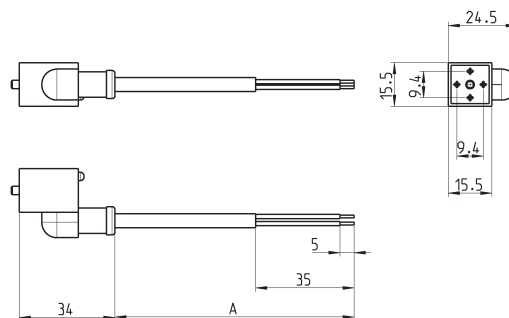
The following is supplied:

- 1x blanking plate
- 2x screws
- 1x seal



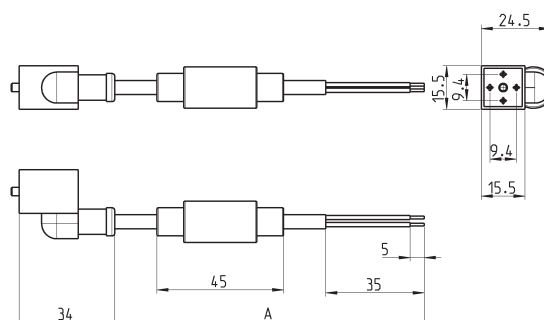
Mod.	Size	A	B	C	ØD
TP-EN530	16	64	14,7	6	3,2
TP-EN550	19	64	17	6	3,2

Connectors 24DC PN with led for solenoids P and PN



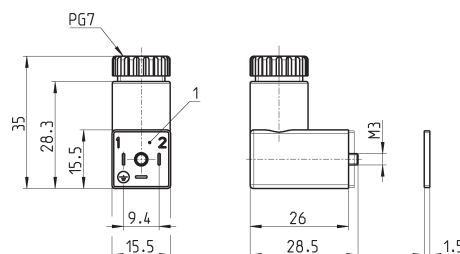
Mod.	A
125-503-2	2 m
125-503-5	5 m

Line connectors V-AC PN with bridge rectifier for solenoids P-PN



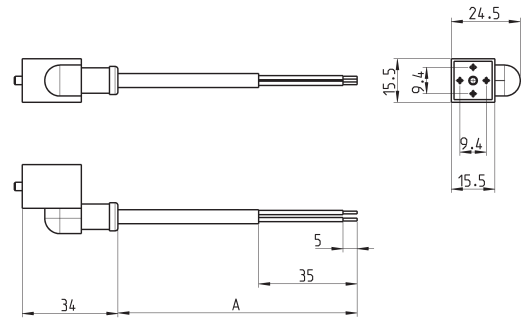
Mod.	A
125-903-2	2 m
125-903-5	5 m

Connectors DIN 43650



Mod.	Solenoid type	A
125-800	P	9,4
126-800	W	8

In-line connectors with cable



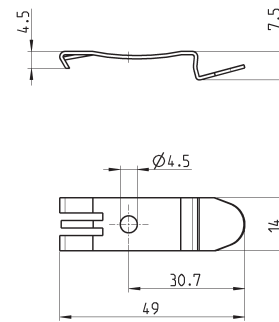
Mod.	A
125-553-2	2 m
125-553-5	5 m

Mounting brackets for DIN rail

DIN EN 50022 (7,5mm x 35mm - width 1)
Suitable for all manifolds.



Supplied with:
2x plates
2x screws M4x6 UNI 5931
2x nuts



Mod.
PCF-EN531