

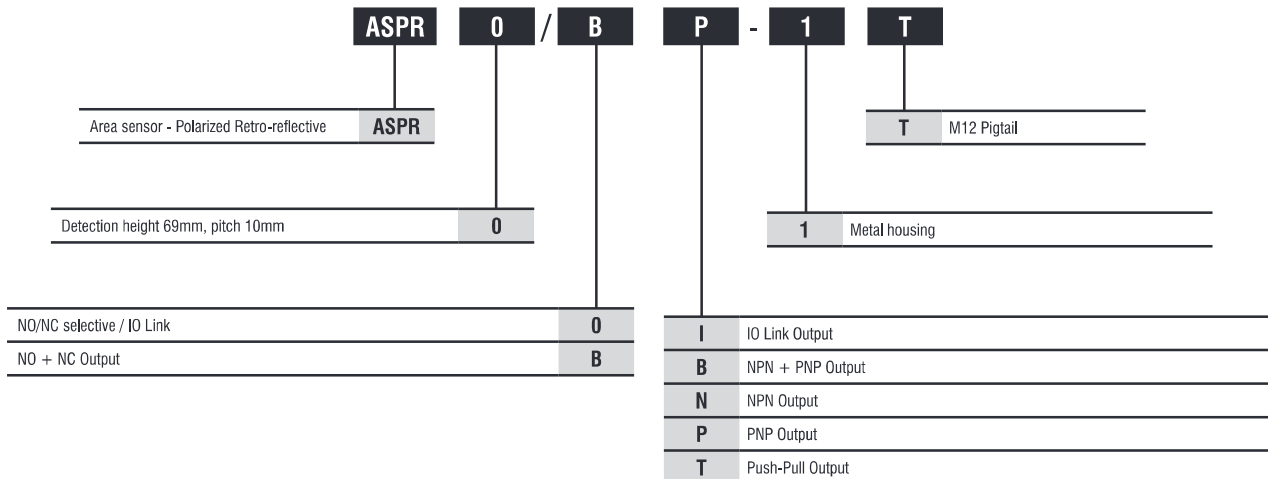
Polarized Retro-Reflective Area Sensor ASPR Series

- Controlled height of 69mm
- Operating distance of up to 4.5m
- Minimum object detection of 6mm in diameter
- Two teach-in settings: Fine and standard
- 10mm optical pitch
- IP67 Protection degree
- Blanking function
- Aluminium body



Options and Ordering Codes

Note: The feasibility of a code number does not mean the effective availability of a product



Available Models

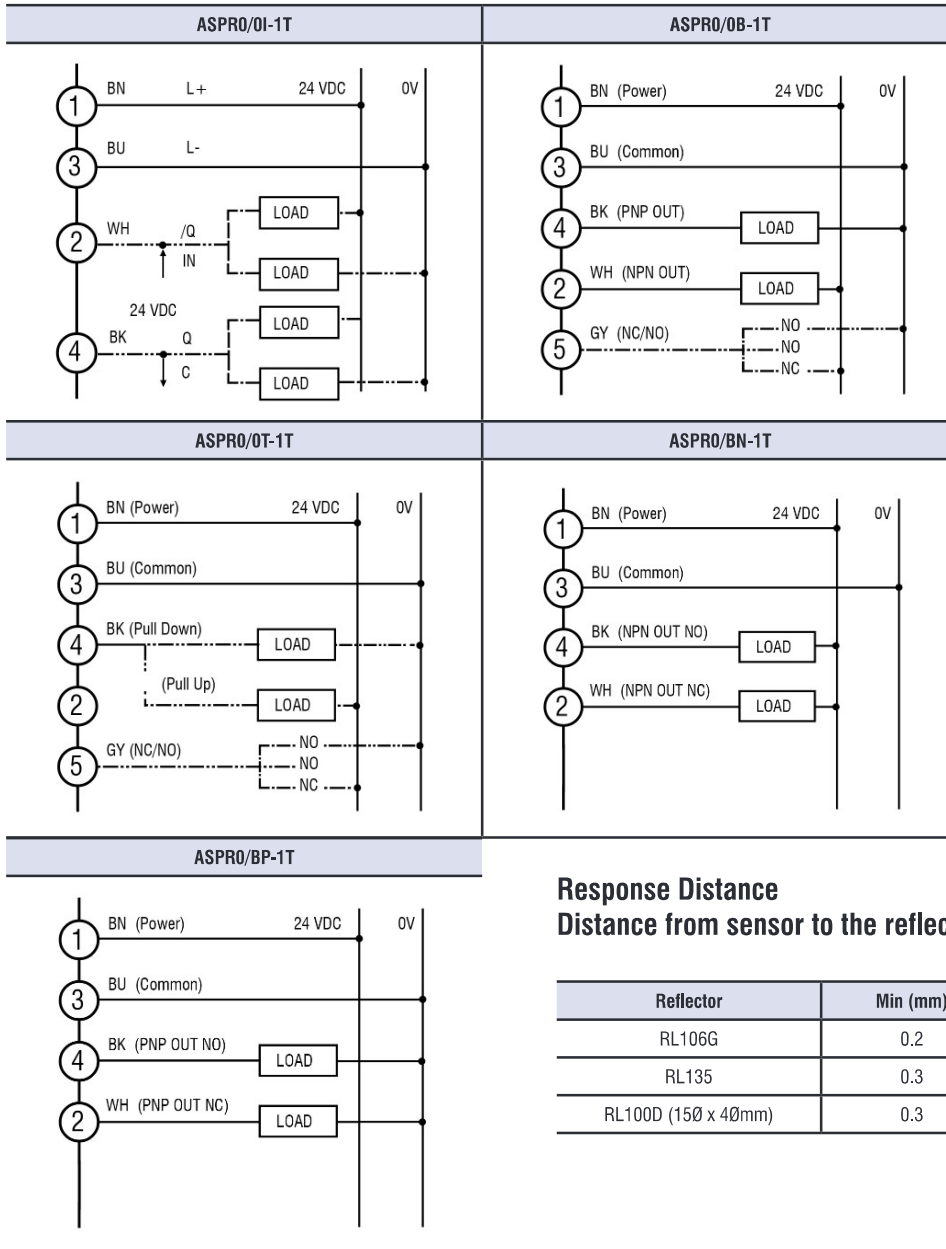
Pitch (mm)	Detection Height (mm)	Working Range (m)	Response Time (ms)	Plug	Poles	Logic	Output	Part Number
10	69	0.2...4,5	1.2	M12	4	IO Link	IO Link	ASPRO/IO-1T
					5	PNP + NPN	NC/NO	ASPRO/OB-1T
					4	Push Pull		ASPRO/OT-1T
						PNP	NO+NC	ASPRO/BP-1T
						NPN		ASPRO/BN-1T

Specifications

ASPRO	
	 0.2...4.5 m (RL106G - ExG 2)
Nominal sensing distance (Sn)	0.2...4.5 m (RL106G - ExG 2)
Emission	Red (617nm)
Operating voltage	16...30 Vdc
No load supply current	≤ 10%
No load supply current	100mA
Load current	100mA
Leakage current	≤ 100 μA (Vdc max)
Output voltage drop	3 V max (100mA)
Adjustment	Teach-in: fine < 3 sec; > 6 sec
Output type	PNP; NPN ; Push-pull ; (NO+NC) compl. output (NO+NC)
Switching frequency	600 Hz
Time delay before available	300 ms
Minimum object detection	3...6mm @2m RL106G(1) 3...10mm@4,5m RL106G (1)
Power supply protections	Polarity reversal, transient
Output protection	Short circuit (autoreset)
Interference external light	5000 lux (fluorescent lamp); 50000 lux (sunlight)
Operative temperature range	-10°C...+55°C (without freeze)
Temperature drift	10% Sr
LED indicators	Green: power supply Red: dark/light status
Protection degree	IP67 (EN60529)
Housing material	Aluminium
Optical material	PMMA

(1) 106G reflector 20x80mm (concealment)

Wiring Connections And Outputs



BU Blue
GY Grey
WH White
BK Black
BN Brown

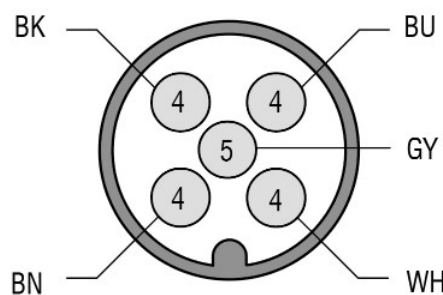
BU Blue
GY Grey
WH White
BK Black
BN Brown

Response Distance
Distance from sensor to the reflector

Reflector	Min (mm)	Max (mm)
RL106G	0.2	5.5
RL135	0.3	3.5
RL100D (15Ø x 4Ømm)	0.3	2.5

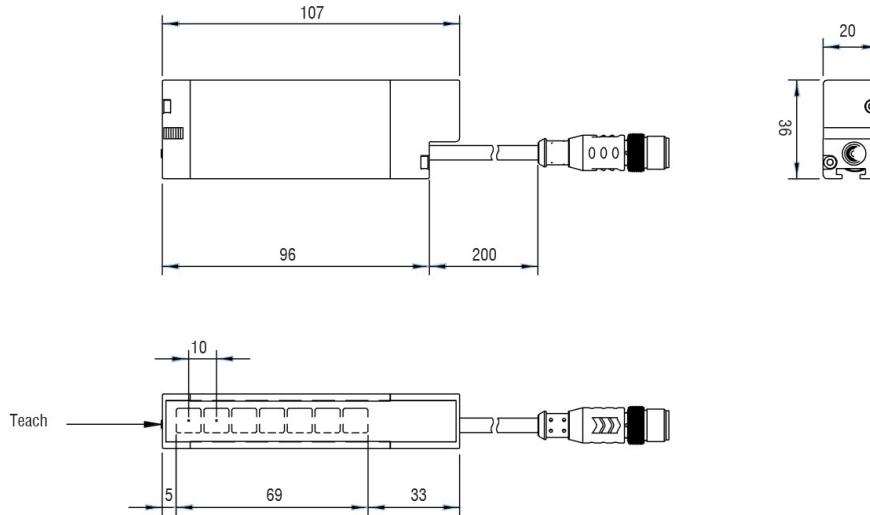
M12 Plug Connector

ASPRO - Plug M12



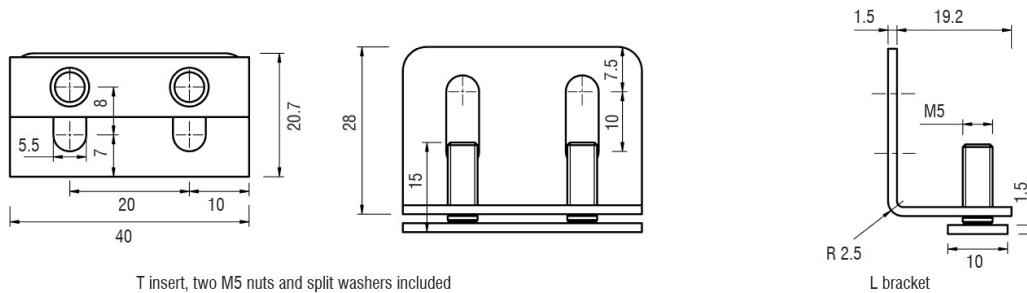
Dimensions (mm)

ASPRO/**.**



Dimensions (mm)
Accessories

Fixing kit ST151



RL106G

Product	Dimensions (mm)