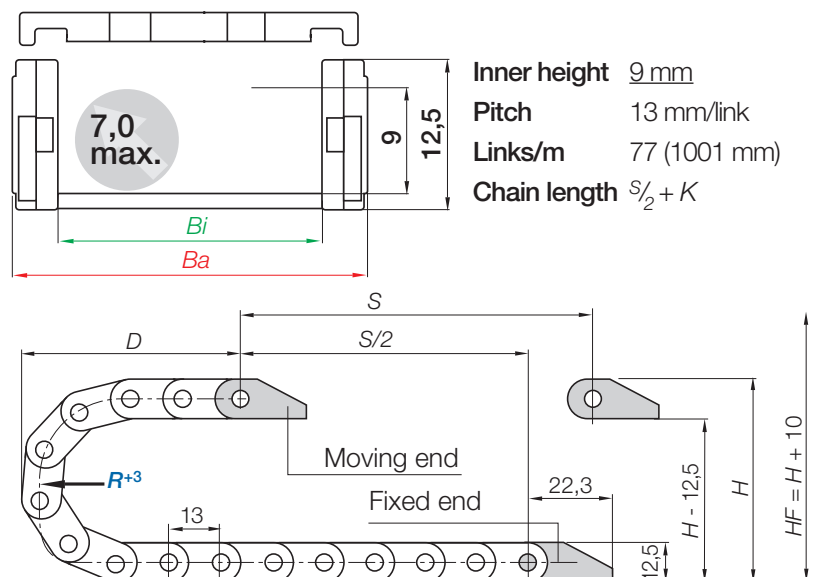
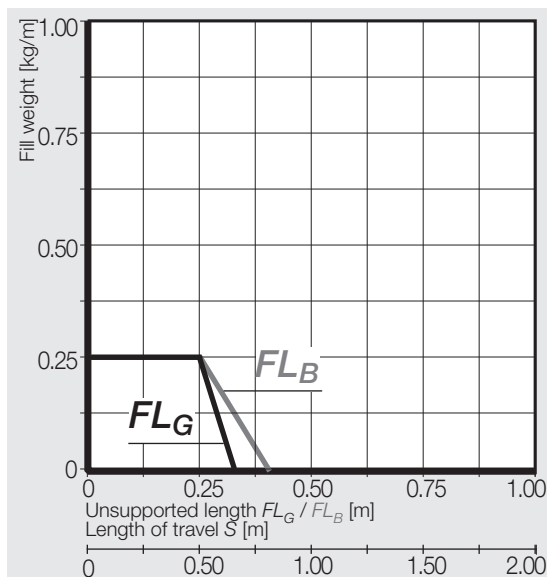

e-chain® | Series 047 | Zip-open along outer radius

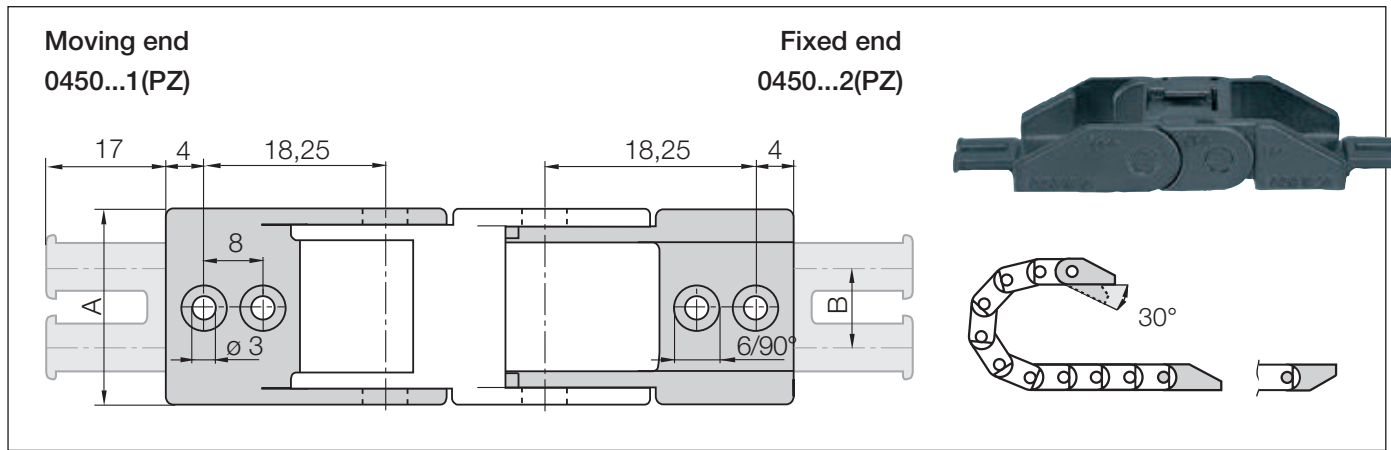
e-chain® zip-open along outer radius	<i>Bi</i> [mm]	<i>Ba</i> [mm]	<i>R</i> Bending radii [mm]	Weight [kg/m]
047. 10 .R.0	10	16	018 028 038	≈ 0,10
047. 16 .R.0	16	22	018 028 038	≈ 0,11

 Supplement Part No. with required radius (*R*). Example: **047.10.038.0**
Dimensions


<i>R</i>	018	028	038
<i>H</i>	48,5	68,5	88,5
<i>D</i>	44	54	64
<i>K</i>	85	115	150

 The required clearance height: $H_F = H + 10$ mm (with 0,2 kg/m fill weight)

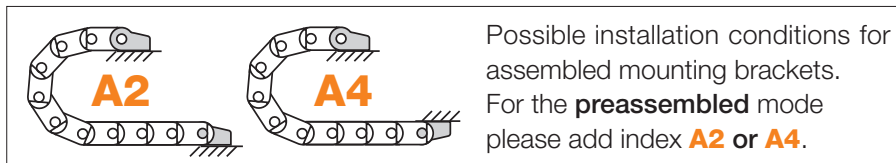
Mounting brackets, polymer one-piece | one side pivoting



Width Index	Standard	Part No. full set with tie-wrap plates	Part No. full set without tie-wrap plates	Dim. A [mm]	Dim. B [mm]	Number of teeth
10.	▶	0450.10.12PZ	0450.10.12	16	–	1
16.	▶	0450.16.12PZ	0450.16.12	22	10	2

Mounting bracket with strain relief tie-wrap plate has reductions of ø 3 mm / ø 6 mm 90°

Mounting bracket without strain relief tie-wrap plate only has holes of ø 3 mm



Part No. structure

0450.10. 12 PZ A2	A...must be indicated on preassembled configurations
	With strain relief tie-wrap plates
	Full set
	Mounting bracket for selected width index