



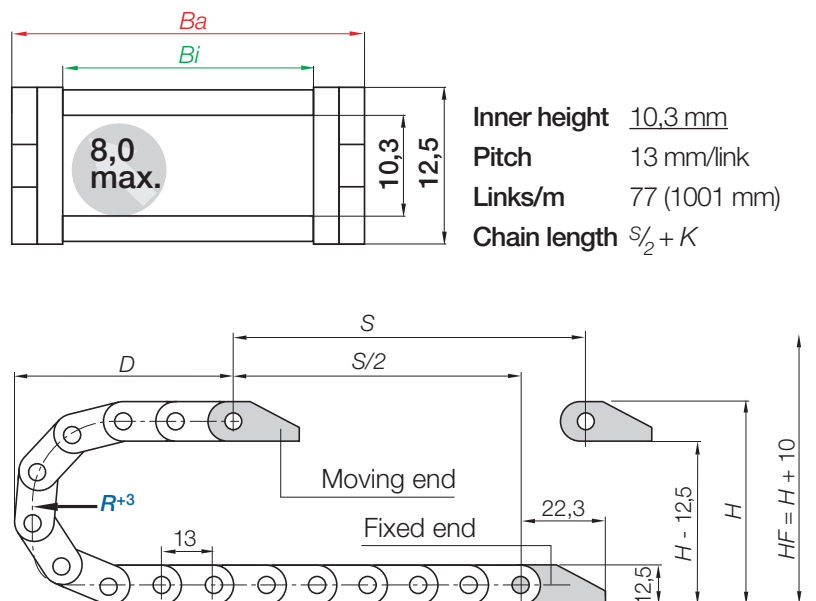
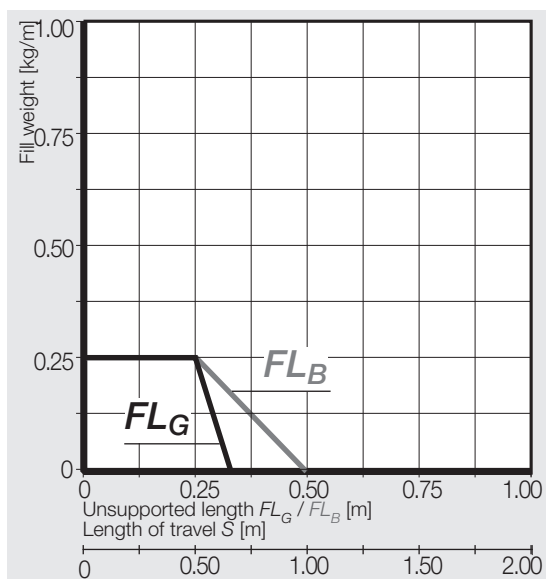
Series 045 | One-piece, non snap-open e-chain®

e-chain® non snap-open	<i>Bi</i> [mm]	<i>Ba</i> [mm]	<i>R</i> Bending radii [mm]	Weight [kg/m]
045. 06 .R.0	6	12	018 028 038 083*	≈ 0,09
045. 10 .R.0	10	16	018 028 038 083*	≈ 0,10
045. 16 .R.0	16	22	018 028 038 083*	≈ 0,11
045. 20 .R.0	20	26	018 028 038 083	≈ 0,13
045. 30 .R.0	30	36	018 028 038 083*	≈ 0,16
045. 64 .R.0	64	70	018 028 038 083*	≈ 0,19

*Radius 083 only for Series 045.20 - for other widths available upon request, please consult igus® for delivery time

Supplement Part No. with required radius (*R*). Example: **045.10.028.0**

Dimensions

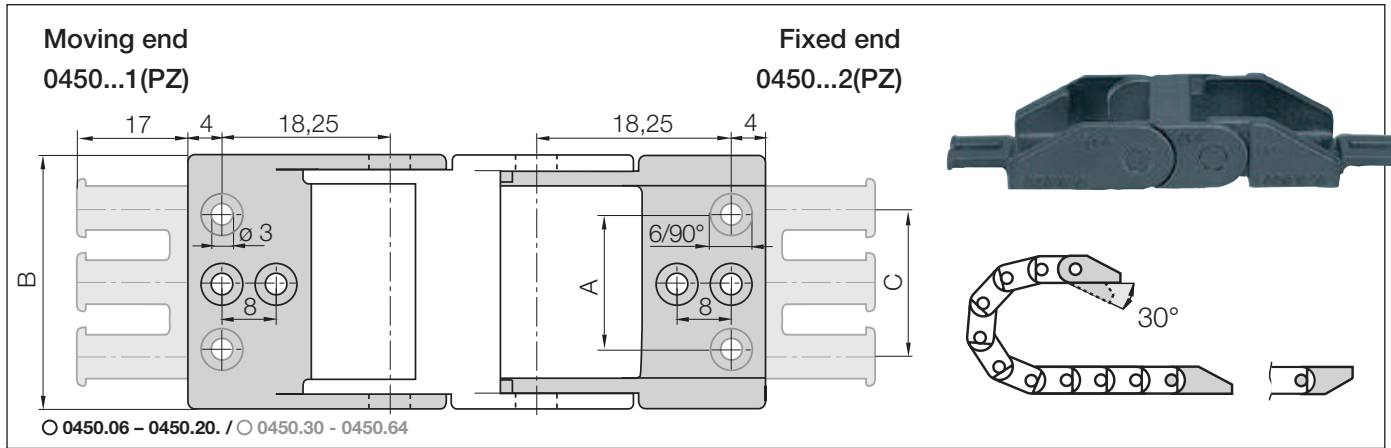


<i>R</i>	018	028	038	083*
<i>H</i>	48,5	68,5	88,5	178,5
<i>D</i>	44	54	64	109
<i>K</i>	85	115	150	290

The required clearance height: $H_F = H + 10$ mm (with 0,2 kg/m fill weight)

*Radius 083 only for Series 045.20 - for other widths available upon request, please consult igus® for delivery time

Mounting brackets, polymer one-piece | one side pivoting

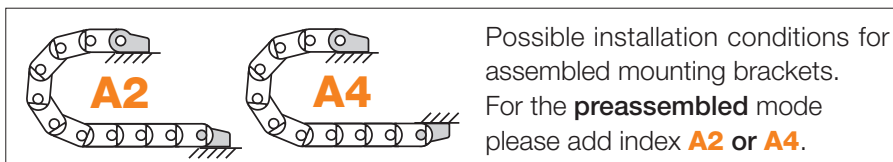


Width Index	Standard	Part No. full set with tie-wrap plates	Part No. full set without tie-wrap plates	Dim. A [mm]	Dim. B [mm]	Dim. C [mm]	Number of teeth
.06	▶	0450.06.12PZ	0450.06.12	-	12	-	1
.10	▶	0450.10.12PZ	0450.10.12	-	16	-	1
.16	▶	0450.16.12PZ	0450.16.12	-	22	10	2
.20	▶	0450.20.12PZ	0450.20.12	-	26	10	2
.30	▶	0450.30.12PZ	0450.30.12	22	36	20	3
.64	▶	0450.64.12PZ	0450.64.12	56	70	50	6

Mounting bracket with strain relief tie-wrap plate has reductions of $\varnothing 3$ mm / $\varnothing 6$ mm, 90° .

Mounting bracket without strain relief tie-wrap plate only has holes of $\varnothing 3$ mm.

○ Drilling pattern for width index: **0450.06 - 0450.20**. center bores only / ○ **0450.30. - 0450.64**. outer bores only (see figure above)



Part No. structure

0450.10. 12 PZ A2 A...must be indicated on preassembled configurations

With strain relief tie-wrap plates

Full set

Mounting bracket for selected width index