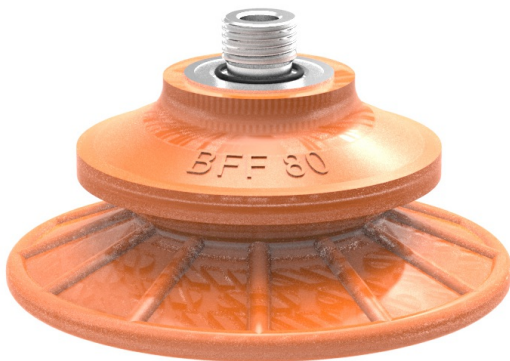


Suction cup BFF80P Polyurethane 55/60 G1/4" male with mesh filter, 0209104



- Special designed friction cups for oily surfaces, such as sheets in metal forming processes.
- Normal wear on friction cup will not affect the long term shear force performance.
- Best choice if $> 0.1\text{g/m}^2$ press oil is used on the sheet.
- Thanks to the strong grip on oily surfaces, the suction cups can withstand high shear forces, typically 2–4 times more than corresponding conventional suction cups.
- The "BFF" design is suitable for uneven/curved surfaces or if level compensation is needed, for example in de-stacking applications.
- The flat inner support gives stability during movement in any orientation.
- DURAFLEX® suction cups manufactured in a specially developed material that features the elasticity of rubber and wear resistance of polyurethane. The material does not leave any marks on the objects handled.

General

Specification	Dry metal sheet
Curve radius	50 mm
Movement, vertical max.	14 mm
Application	Oily sheet metal
Material	Polyurethane (PU55), Polyurethane (PU60)
Suction cup model	BFF
Suction cup shape	Bellows
Weight	0.0845 g



Fitting

Fitting size	1/4"
Fitting style	Male
Fitting type	G-thread
Fitting option	Filter mesh
Material	Al

Dimension

Height	48.5 mm
Outer diameter	85.3 mm

Performance — lifting forces, Dry metal sheet

		
60 -kPa	176 N	201 N
90 -kPa	236 N	240 N

Performance – lifting forces, Oily steel plate

		
60 -kPa	174 N	110 N
90 -kPa	207 N	160 N

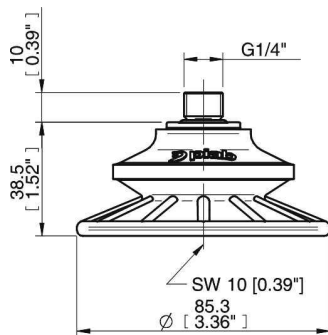
Material

	Polyurethane (PU60)	Polyurethane (PU55)
Colour	Orange	Orange
Hardness	60 °Shore A	55 °Shore A
Temperature	10 – 50 °C	10 – 50 °C

Material resistance

	Polyurethane (PU60)	Polyurethane (PU55)
Alcohol	N/A	N/A
Concentrated acids	+	+
Ethanol	+	+
Hydrolysis	+	+
Methanol	-	-
Oil	+++	+++
Oxidation	-	-
Petrol	+	+
Wear resistance	+++	+++
Weather and ozone	+++	+++

Dimensional drawings



Values specified in the data sheet are tested at:

Room temperature	(20°C [68°F] ± 3°C [5.5°F])
Standard atmosphere	(101.3 [29.9 inHg] ± 1.0 kPa [0.3 inHg])
Relative humidity	0-100%
Compressed air quality	DIN ISO 8573-1 class 4