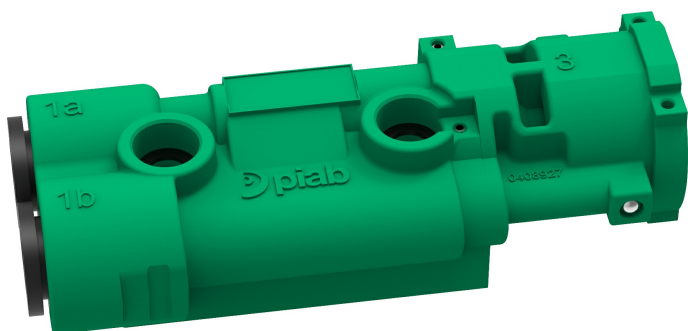


piSTAMP COAX® MICRO Ti05-2x2, 8-8 mm, 0207770



- Ultra-lightweight decentralized ejector with integrated release function
- Efficient and patented COAX® ejector with lower air consumption and faster response as compared to corresponding competitive products.
- Generic design and mounting interface, suitable for end-of-arm-tools and suction cup holders used in automotive press-shops.
- Release function based on Exhaust Block principle (EBR), suitable for fast cycle speeds.
- O-ring sealed vacuum port (non-threaded).
- Ejector with new STX nozzle gives extra fast response and a faster release function. Also recommended in very dirty/dusty environments.

General

Material	PA66, CuZn, SS, TPE, Al, HNBR, Nitrile (NBR)
Noise level	71 dBA
Temperature	0 – 50 °C
Weight	49 g

Performance

Feed pressure	0.45 – 0.7 MPa
Feed pressure, optimum, max.	0.5 MPa
Vacuum, max.	84 -kPa

Pneumatic data

Flow rate	0.64 NI/s (Blow-Off flow at 5 MPa)
-----------	------------------------------------

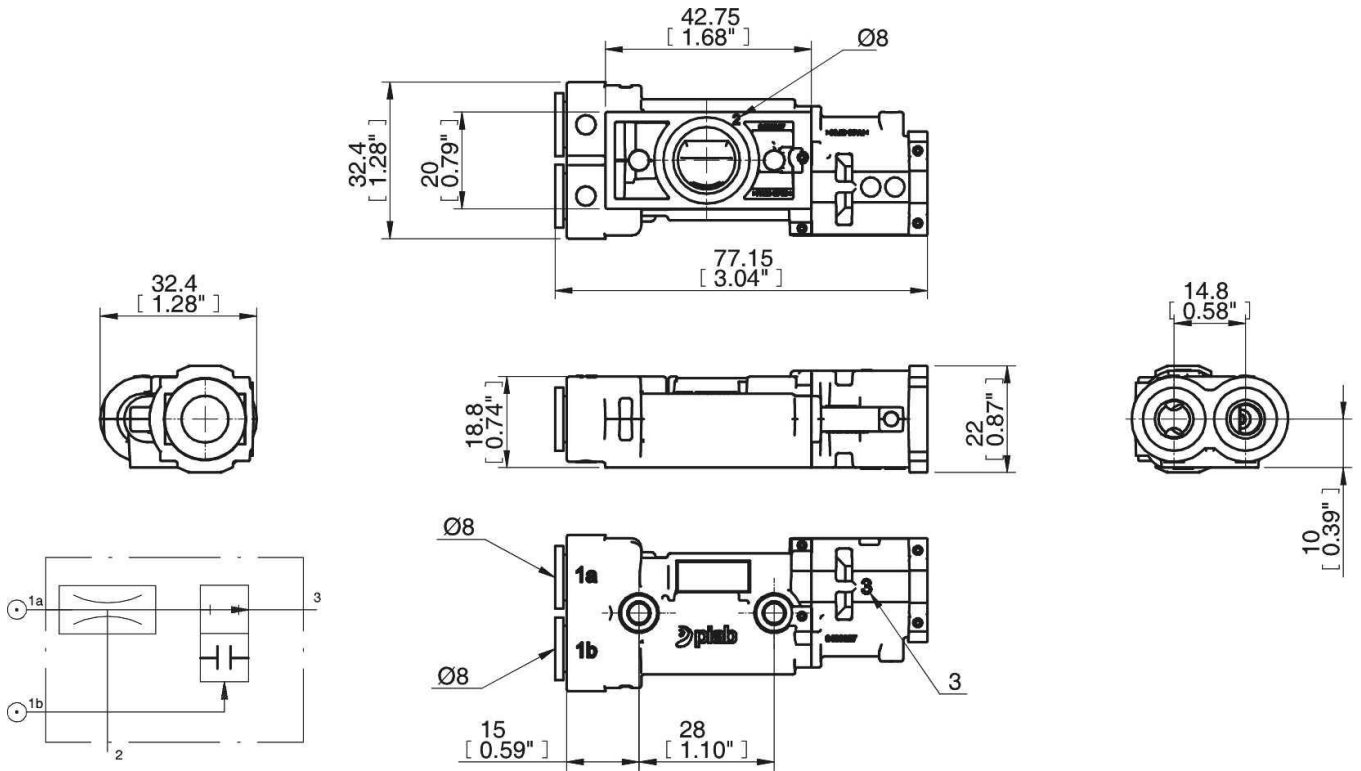
Vacuum flow

Feed pressure MPa	Air consumption NI/s	Vacuum flow (NI/s) at different vacuum levels (-kPa)										Max vacuum -kPa
		0	10	20	30	40	50	60	70	80		
0.5	0.64	0.62	0.56	0.48	0.38	0.26	0.14	0.06	0.02	0.004	81	

Evacuation time

Feed pressure MPa	Air consumption NI/s	Evacuation time (s/l) to reach different vacuum levels (-kPa)										Max vacuum -kPa
		10	20	30	40	50	60	70	80			
0.5	0.64	0.17	0.36	0.6	0.9	1.4	2.4	4.9	13.3	81		

Dimensional drawings



Values specified in the data sheet are tested at:

Room temperature	(20°C [68°F] ± 3°C [5.5°F])
Standard atmosphere	(101.3 [29.9 inHg] ± 1.0 kPa [0.3 inHg])
Relative humidity	0-100%
Compressed air quality	DIN ISO 8573-1 class 4