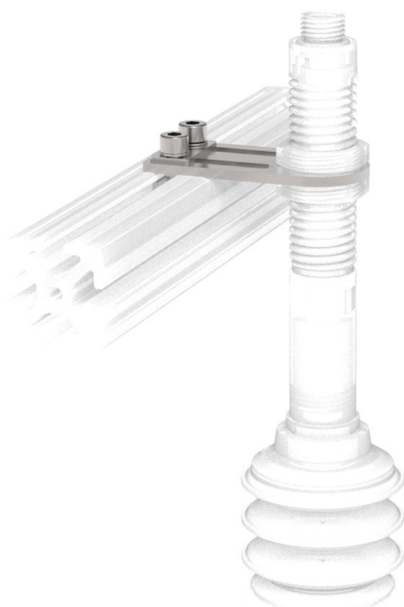


Mounting bracket MB12S, 0200449



- Mounting brackets suitable for extruded profile systems.
- Level compensators and height adjusters with external thread in sizes M12, M16, M20 and M25 are ideal for clamping on the mounting brackets.
- Facilitates the installation of a suction cup and positioning in X-direction.
- Long and short versions available.

General

Material	Steel
Temperature	-20 - 60 °C
Weight	45 g

Mechanical data

Bending torque, max.	7 Nm
Load, vertical, max.	200 N
Load, torque, max.	7 Nm

Dimensional drawings

