

# COAX<sup>®</sup> cartridge MIDI Xi40-3, extra non-return valve, 0118725



- Three-stage COAX<sup>®</sup> cartridge – MIDI – with high initial vacuum flow
- Deep end vacuum level, 95 -kPa
- High vacuum flow at deep vacuum levels, 75 to 95 -kPa
- Quick response time when deep vacuum is needed
- The all-round characteristics makes it suitable for several types of vacuum applications

## General

Material	Viton <sup>®</sup> , PA, SS
Temperature	-10 – 80 °C
Weight	28.7 – 63.2 g

## Performance

Feed pressure, max.	0.7 MPa
---------------------	---------

## Vacuum flow

Feed pressure MPa	Air consumption NI/s	Vacuum flow (NI/s) at different vacuum levels (-kPa)											Max vacuum -kPa
		0	10	20	30	40	50	60	70	80	90	95	
0.45	1.83	5.9	3	2	1.3	0.73	0.58	0.43	0.32	0.18	0.03	95	
0.5	2	6.2	3.7	2.2	1.8	1.3	0.81	0.4	0.3	0.14	0.02	94	
0.6	2.33	5.9	3.2	2.2	1.6	0.9	0.52	0.4	0.31	0.16	0.03	94	

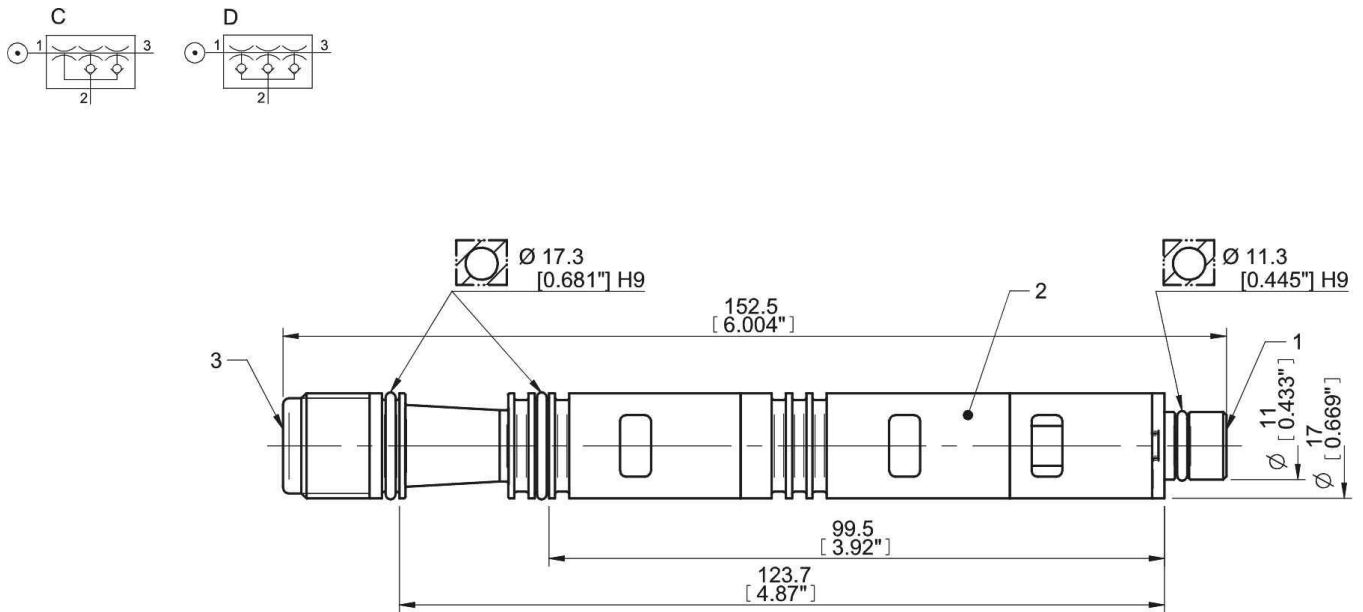
## Evacuation time

Feed pressure MPa	Air consumption NI/s	Evacuation time (s/l) to reach different vacuum levels (-kPa)										Max vacuum -kPa
		10	20	30	40	50	60	70	80	90	95	
0.45	1.83	0.022	0.062	0.12	0.22	0.37	0.57	0.84	1.2	2.2	95	
0.5	2	0.02	0.05	0.1	0.2	0.3	0.4	0.7	1.2	2.4	94	
0.6	2.33	0.02	0.054	0.1	0.17	0.26	0.43	0.71	1.2	2.4	94	

## Blow flow

Feed pressure MPa	Air consumption NI/s	Blow flow (NI/s) at different pressure levels (kPa)											Max pressure kPa
		0	10	20	30	40	50	60	70	80	90	90	
0.6	2.33	8.43	6.18	5.09	4.62	3.92	3.53	3.39	3.23	2.95	2.58	90	

## Dimensional drawings



### Values specified in the data sheet are tested at:

Room temperature	(20°C [68°F] ± 3°C [5.5°F])
Standard atmosphere	(101.3 [29.9 inHg] ± 1.0 kPa [0.3 inHg])
Relative humidity	0-100%
Compressed air quality	DIN ISO 8573-1 class 4

### Spare parts

	Item no.
Spare part kit Midi COAX	0109531
Spare part kit Midi COAX Viton	0124897
Cartridge holder Midi-3 cpl.	0107131

### Accessories

	Item no.
Silencer COAX® MIDI	0111976