

Vacuum filter G3/4" (5 µm), 0110522



- To filter dust and other small particles from the vacuum flow.
- Reduces the risk of operation breakdown or stoppage in the pump.
- Replaceable filter element.
- Available with special filter element with increased filter area

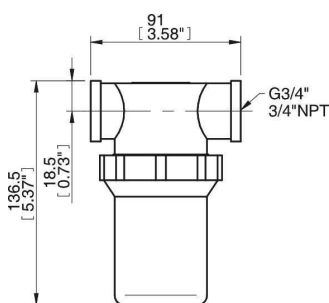
General

Filter area	320 cm ²
Material	Polyester, PA, PP, SS
Removal efficiency	5 µm
Temperature	-20 – 80 °C
Weight	246 g

Pneumatic data

Flow	5.8 NI/s (nominal)
Pressure	-0.1 – 0 MPa
Volume, internal	205 cm ³

Dimensional drawings



Spare parts

	Item no.
Filter element 1/2" & 3/4" (5 µm)	3116223