

> UES - guide with flat raceways in zinc-plated steel

UES rail in zinc-plated steel

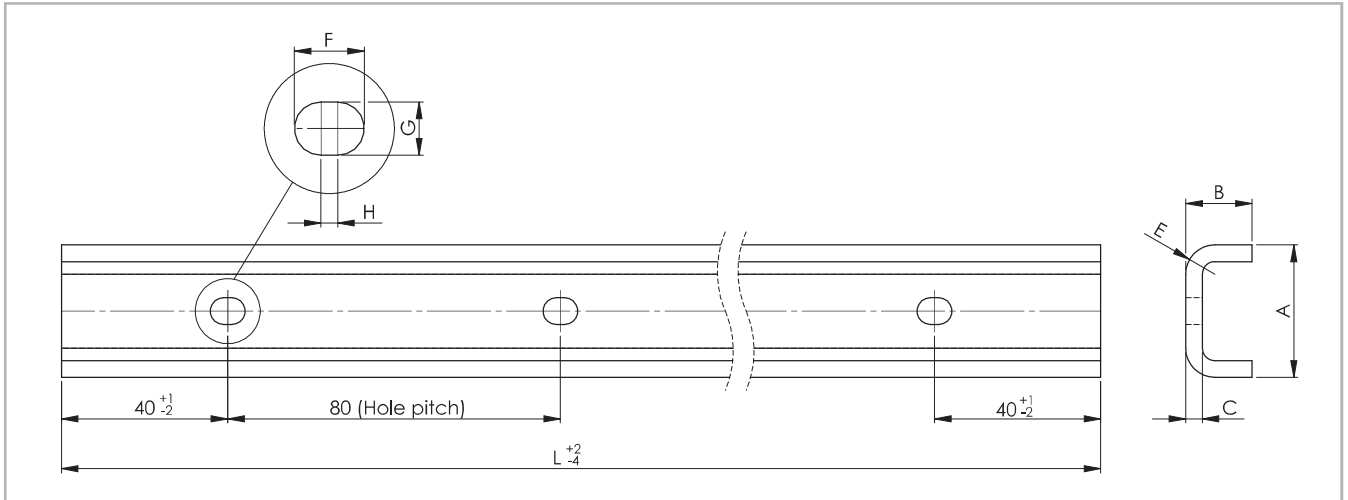


Fig. 24

Rail type	Size	A [mm]	B [mm]	C [mm]	E [mm]	F [mm]	G [mm]	H [mm]	Holes for screws	Weight [kg/m]
UES	20	20.5	11	3	5.5	7	4.5	2	M4	0.77
	30	31.8	16	4	7	8.4	6.4	2	M5	1.39
	45	44.8	24.5	4.5	9.5	11	9	2	M8	2.79

Tab. 20

Rail type	Standard length L [mm]
UES	160 - 240 - 320 - 400 - 480 - 560 - 640 - 720 - 800 - 880 - 960 - 1040 - 1120 - 1200 - 1280 - 1360 - 1440 - 1520 - 1600 - 1680 - 1760 - 1840 - 1920 - 2000 - 2080 - 2160 - 2240 - 2320 - 2400 - 2480 - 2560 - 2640 - 2720 - 2800 - 2880 - 2960 - 3040 - 3120

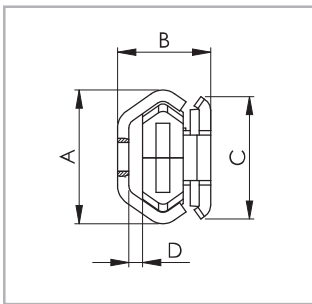
Tab. 21

Please specify hole pattern separately
 Special lengths or pitches available upon request, please contact the sales department
 The highlighted rail lengths are available from stock

X
R

> TES-UES: Mounted sliders and rails

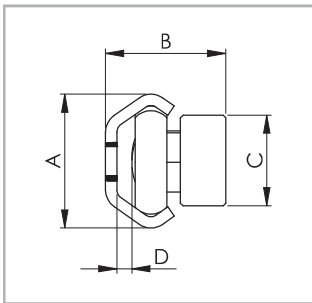
Guide with shaped raceways



Version 1
(Slider with compact body)

Configuration	A [mm]	B [mm]	C [mm]	D [mm]
TES-20 – CES20-80	19.2	16	18	2.5
TES-30 – CES30-88	29.5	20.5	27	3.5
TES-45 – CES45-150	46.4	31	40	5

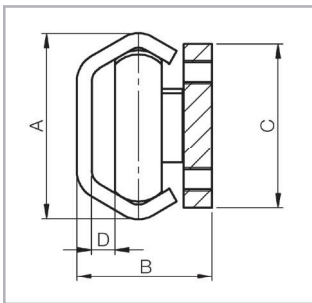
Tab. 23



Version 2
(Slider with solid body)

Configuration	A [mm]	B [mm]	C [mm]	D [mm]
TES-20 – CES20-60	19.2	17.8	10	2.6
TES-30 – CES30-80	29.5	26.5	20	3.3
TES-45 – CES45-120	46.4	38	25	5.1

Tab. 24

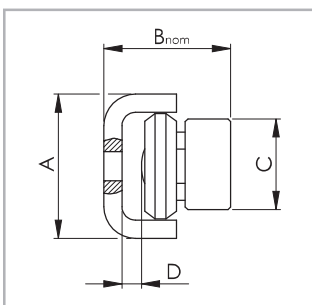


Version 3
(Slider with compact body)

Configuration	A [mm]	B [mm]	C [mm]	D [mm]
TES-26 – CES26-80	26	22	20	3.7
TES-40 – CES40-135	39.5	28.65	35	5

Tab. 25

Guide with flat raceways



Version 4
(Slider with solid body)

Configuration	A [mm]	B _{nom} [mm]	C [mm]	D [mm]
UES-20 – CESU20-60	20.5	18.25 ± 0.6	10	3.4
UES-30 – CESU30-80	31.8	27.95 ± 1.0	20	4.05
UES-45 – CESU45-120	44.8	37.25 ± 1.75	25	6.35

Tab. 26