

Relay Sockets for SRRHN, SRP, SRRT, SRRNS, SRPT, ERP & ERR Relays



- Suitable for SRRHN, SRP, SRRT, SRRNS, SRPT, ERP, ERR relays
- Dielectric strength 5000 VAC min.
- Insulation strength 1000M Ω
- Two mounting types are available: PCB or DIN Rail and Screw mounting
- Components available: retainers, markers, jumpers and plug-in modules





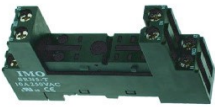

Characteristics

Product	Nominal Voltage	Nominal Current	Ambient Temperature	Dielectric Strength min.	Screw Torque (Nm)	Wire Strip Length
SRSE1-0	250VAC	10A	-40 to 70°C	5000VAC	-	-
SRNE3-T	250VAC	10A	-40 to 70°C	5000VAC	0.6	7mm
SRNE3-S	250VAC	10A	-40 to 70°C	5000VAC	0.6	7mm
SRSE2-0	250VAC	10A	-40 to 70°C	5000VAC	-	-
SRNE5-T	250VAC	10A	-40 to 70°C	5000VAC	0.6	7mm
SRNE5-S	250VAC	10A	-40 to 70°C	5000VAC	0.6	7mm

Outline Dimensions, Wiring & PCB Layout (mm)

Socket	Outline Dimensions	Wiring Diagram / PCB Layout	Components Available
<p>SRSE1-0</p>  <p>PCB Terminal PCB Mounting Applicable for SRRHN 1 pole, SRRNS-1A, ERR-1C</p>	<p>(Top View)</p>	<p>(Top View)</p>	
<p>SRNE3-T</p>  <p>Screw Terminal, DIN Rail & Screw Mounting Applicable for SRRHN 1 pole, SRRNS-1A, ERR-1C Plastic retainer & marker included</p>	<p>(Top View)</p>	<p>(Top View)</p>	<p>Plug-in modules PDME1 and PDME2</p>

Relay Sockets for SRRHN, SRP, SRRT, SRRNS, SRPT, ERP & ERR Relays

Socket	Outline Dimensions	Wiring Diagram / PCB Layout	Components Available
<p>SRNE3-S</p>  <p>Screw Terminal, DIN Rail & Screw Mounting Applicable for SRRHN 1 pole, SRRNS-1A, ERR-1C Plastic retainer & marker included</p>	<p>(Top View)</p>	<p>(Top View)</p>	<p>Plug-in modules PDME1 and PDME2</p>
<p>SRSE2-0</p>  <p>PCB Terminal, PCB Mounting Applicable for SRRHN, SRP, SRRT, SRRNS, SRPT, ERP, ERR 2 poles Metalic retainer included</p>	<p>(Top View)</p>	<p>(Top View)</p>	
<p>SRNE5-T</p>  <p>PCB Terminal, DIN Rail & Screw Mounting Applicable for SRRHN, SRP, SRRT, SRRNS, SRPT, ERP, ERR 2 poles Plastic retainer & marker included</p>	<p>(Top View)</p>	<p>(Top View)</p>	<p>Plug-in modules PDME1 and PDME2</p>
<p>SRNE5-S</p>  <p>Screw Terminal, DIN Rail & Screw Mounting Applicable for SRRHN, SRP, SRRT, SRRNS, SRPT, ERP, ERR 2 poles Plastic retainer & marker included</p>	<p>(Top View)</p>		<p>Plug-in modules PDME1 and PDME2</p>