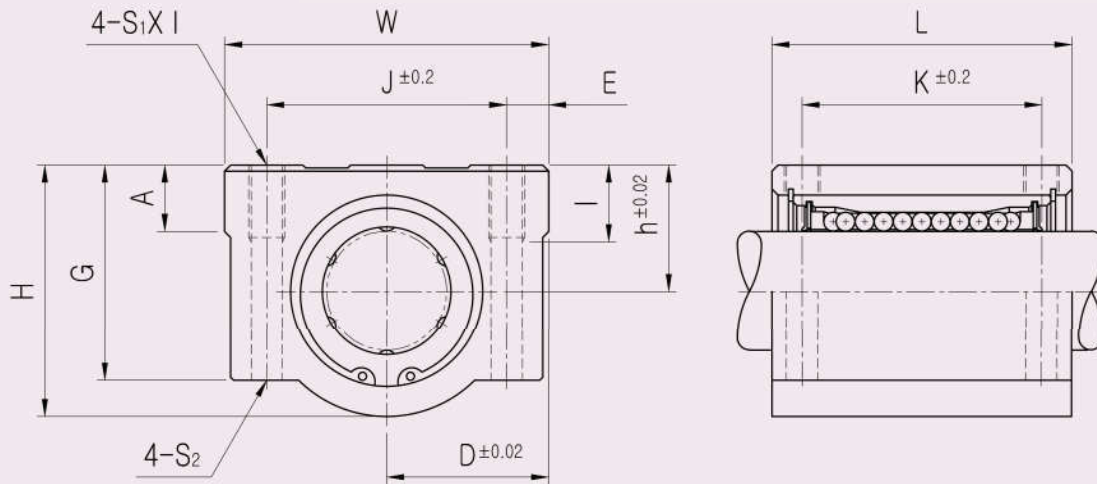


SCE ALUMINUM CASE UNIT

● **Drawing**



146
SCE

● **Part Number Notation**

SCE 20 UU - A N S



- European Standard Aluminum Case Unit
- Nominal Shaft Diameter
- Seal

Blank	No Seal
UU	Both Side Seal
U	One Side Seal

- Retainer (material)

Blank	Resin Retainer(Standard)
A	Steel Retainer(High temperature) *1

- Outer-sleeves (by corrosion resistance)

Blank	Standard(SUJ2)
N	Electroless nickel plating
R	Raydent treatment

- Ball type (material)

Blank	High carbon bearing steel ball(Standard)
S	Stainless steel ball

*1 Steel retainer applicable from SCE8 to SCE25 only

SCE ALUMINUM CASE UNIT

PART NUMBER	L/B	h	D	W	H	G	A	J	E	S ₁ ×ℓ	S ₂	K	L	BASIC LOAD RATING(N) ^{*4}		WEIGHT (gf) ^{*2}
														DYNAMIC (C) ^{*1}	STATIC (C ₀)	
SCE8UU-B	LME8UU	11	17	34	22	18	6	24	5	M4×8	Φ3.4	18	30	260	400	60
SCE12UU-B	LME12UU	15	22	44	30	24.5	8	33	5.5	M5×10	Φ4.3	26	39	410	590	118
SCE16UU-B	LME16UU	19	25	50	38.5	32.5	9	36	7	M5×12	Φ4.3	34	44	770	1170	180
SCE20UU-B	LME20UU	21	27	54	41	35	11	40	7	M6×12	Φ5.2	40	53	860	1370	245
SCE25UU-B	LME25UU	26	38	76	51.5	41	12	54	11	M8×18	Φ6.8	50	67	980	1560	550
SCE30UU-B	LME30UU	30	39	78	59.5	49	15	58	10	M8×18	Φ6.8	58	76	1560	2740	760
SCE40UU-B	LME40UU	40	51	102	78	62	20	80	11	M10×25	Φ8.6	60	90	2150	4010	1700
SCE50UU-B	LME50UU	52	61	122	102	80	24	100	11	M10×25	Φ8.6	80	110	3820	7930	2950

- ★1 Dynamic load rating is based on the nominal life of 50km
In case of 100km, C on the table need to be divided by 1.26
Ex) 50km basic dynamic load rating(C) of SCE12 = 410N
100km basic dynamic load rating(C₁₀₀) of SCE12 = 410/1.26 = 325.40N
- ★2 Based on the weight of resin retainer
- ★3 Main unit : mm
- ★4 1N ≒ 0.102kgf
- ★5 Steel retainer applicable from SCE8 to SCE25 only