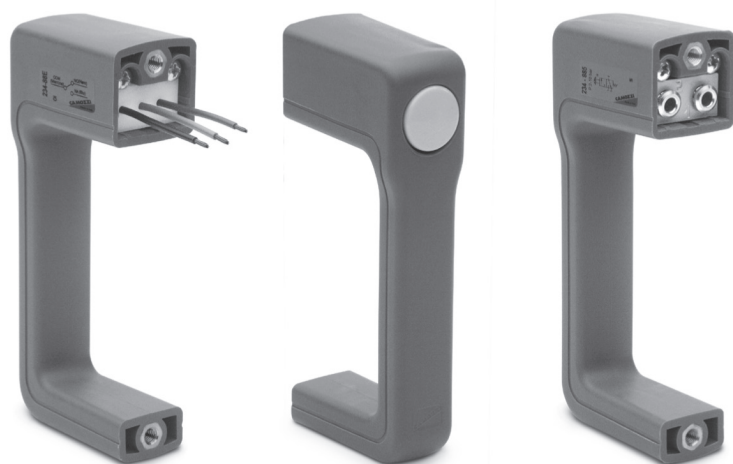


Mini-handle valves Series 2

Handle with incorporated micro valve 3/2 NC and NO
 Handle with incorporated micro switch

2

CONTROL

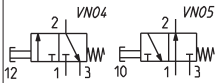
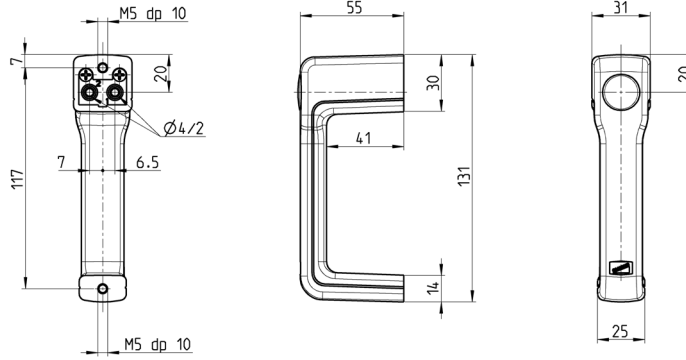


Manual handle with integrated pneumatic micro valve 3/2 or with an electrical micro switch with single pole changeover contacts.
 Rugged construction particularly suited to be incorporated in to other equipment.

GENERAL DATA

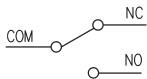
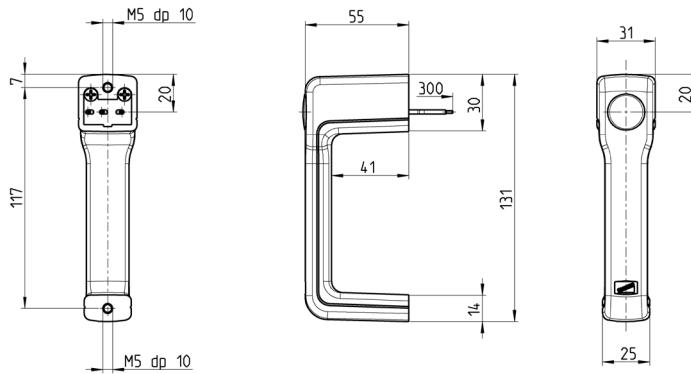
Construction	poppet-type (closed centres)
Valve group	way/pos. 3/2 way NC and NO
Nominal diameter	2,5 mm
Fixing	N°2 holes M5
Ports	push in cartdrige Ø4
Installation	in any position
Operating temperature	0 ÷ +70°C (-20°C with dry air)
Operating pressure	2 ÷ 8 bar
Nominal flow rate	Qn 60 NI/min. (6 bar Δ p1)
Fluid	Filtered air, without lubrication. If lubricated air is used, it is recommended to use ISO VG32 oil. Once applied the lubrication should never be interrupted.
Actuating force	at 6 bar 13N
Construction	switch device
Electrical connections	3 wires Ø external 2,2 mm internal section 0,5 length 30 cm NC = black wire NO = blue wire
Fixing	N° 2 holes M5
Mounting	in any position
Operating temperature	0 ÷ +70°C
Protection class	IP40
Activation stroke	2 mm
Actuating force	5 N

Handle 3/2 NC and NO



Mod.	Symbol
234-885	VN04
244-885	VN05

Handle



Electrical characteristics						
Mod.	Voltage	Non-inductive load Resist. NC / NO	Non-inductive load Lamp NC / NO	Inductive load NC / NO	Inductive load Motor NC/NO	
234-88E	125VAC	5A	1,5 A / 0,7 A	3 A	2,5 A / 1,3 A	
	250 VAC	3A	1 A / 0,5 A	2 A	1,5 A / 0,8 A	
	8 VDC	5A	2 A	5 A / 4 A	3 A	
	14 VDC	5A	2 A	4 A	3 A	
	30 VDC	4A	2 A	3 A	3 A	
	125 VDC	0,4A	0,05 A	0,4 A	0,05 A	
	250 VDC	0,2A	0,03 A	0,2 A	0,03 A	

234-88E The above-mentioned values refer to steady-state-current

The inductive load refers to power factor = 0,4 in AC. and a time constant of 7 msec max. in DC.

Lamp load has an inrush current of 10 times the steady-state current.

Motor load has an inrush current of 6 times the steady-state current.

If the switch is used in a DC circuit and is subjected to a surge connect a surge suppressor across the switch.