

Suction cup U10 Chloroprene, M5 male, 3150005



- Suitable for objects with flat or slightly curved surfaces.
- Also used for concave objects.

General

Curve radius	8 mm
Movement, vertical max.	0.5 mm
Application	Glass handling
Material	Chloroprene (CR)
Suction cup model	U
Suction cup shape	Universal
Volume	0.18 cm ³
Weight	0.65 g

Fitting

Fitting size	M5
Fitting style	Male
Fitting type	M-thread
Fitting option	None

Dimension

Height	19 mm
Outer diameter	11 mm

Performance — lifting forces

		
20 -kPa	1.5 N	1.6 N
60 -kPa	4.4 N	3.5 N
90 -kPa	6.9 N	4.8 N

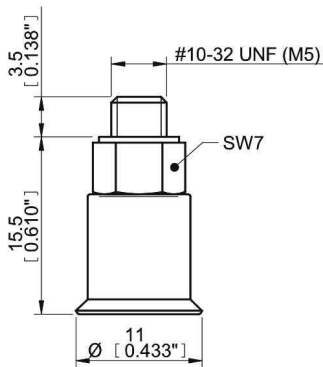
Material

	Chloroprene (CR)
Colour	Black
Hardness	50 °Shore A
Temperature	-40 – 110 °C

Material resistance

	Chloroprene (CR)
Alcohol	++
Concentrated acids	-
Ethanol	N/A
Hydrolysis	++
Methanol	N/A
Oil	+
Oxidation	++
Petrol	+
Wear resistance	+++
Weather and ozone	++

Dimensional drawings



Values specified in the data sheet are tested at:

Room temperature	(20°C [68°F] ± 3°C [5.5°F])
Standard atmosphere	(101.3 [29.9 inHg] ± 1.0 kPa [0.3 inHg])
Relative humidity	0-100%
Compressed air quality	DIN ISO 8573-1 class 4

Spare parts

	Item no.
Fitting M5 male, 10-15	3107030
Suction cup U10 Chloroprene	3150117

Accessories

	Item no.
Suction cup U10 HNBR	0128689
Suction cup U10 Silicone	3150117S