

# Vacuum filter G2", steel, 3116710



- To filter dust and other small particles from the vacuum flow.
- Reduces the risk of operation breakdown or stoppage in the pump.

## General

Filter area	4200 cm <sup>2</sup>
Material	Polyester, SS, Baked enamel steel, Nitrile (NBR)
Removal efficiency	5 µm
Temperature	-30 – 90 °C
Weight	4.9 kg

## Fitting

Fitting size	2"
--------------	----

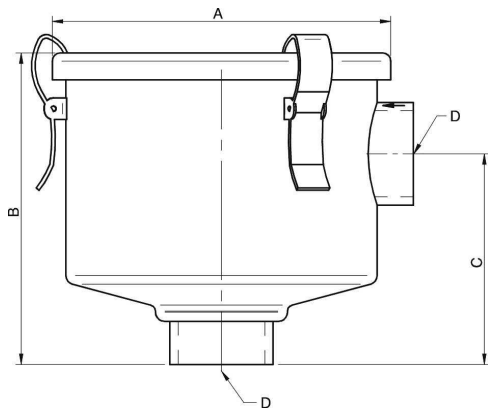
## Pneumatic data

Flow	82.6 Nl/s
Pressure	-0.1 – 0 MPa
Volume, internal	5830 cm <sup>3</sup>

## Dimension

Outer diameter	222 mm (A)
Length	260 mm (B)
Length 2	127 mm (C)
Thread	2" in

### Dimensional drawings



### Spare parts

	Item no.
Filter element 2 1/2"	3116712