

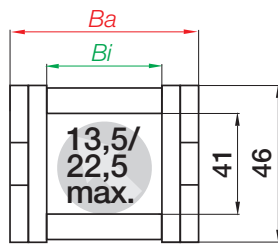
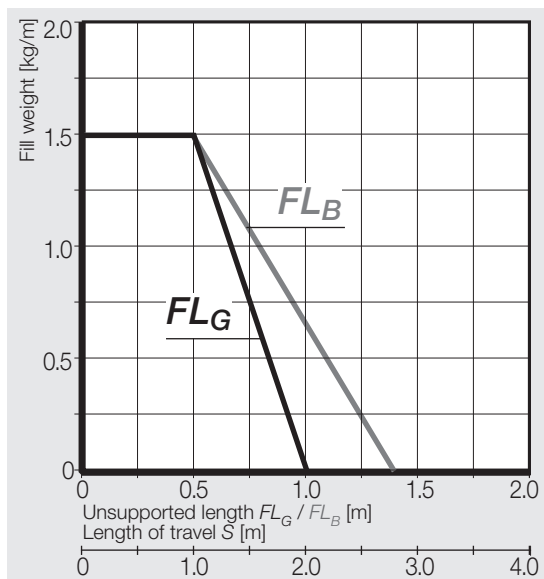


Series 11.1·11.2 | One-piece, non snap-open e-chain®

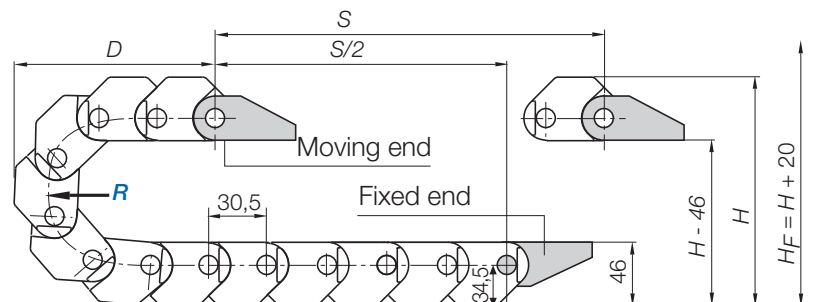
e-chain® non snap-open	<i>Bi</i> [mm]	<i>Ba</i> [mm]	<i>R</i> Bending radii [mm]	Weight [kg/m]
11.1 .R.0	15	25,5	040 063 075 100	≈ 0,50
11.2 .R.0	25	35,5	040 063 075 100	≈ 0,53

Supplement Part No. with required radius (*R*). Example: 11.1.040.0

Dimensions



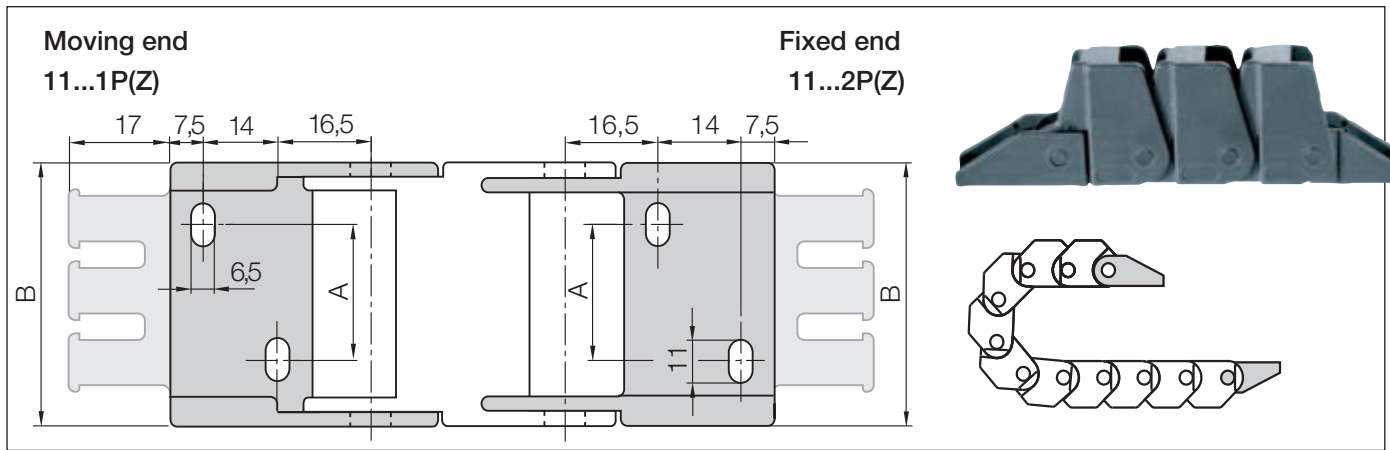
- Inner height 41 mm
- Pitch 30,5 mm/link
- Links/m 33 (1006,5 mm)
- Chain length $S/2 + K$



<i>R</i>	040	063	075	100
<i>H</i>	149	195	219	269
<i>D</i>	120	143	155	180
<i>K</i>	190	260	300	380

The required clearance height: $H_F = H + 20$ mm (with 0,5 kg/m fill weight)

Mounting brackets, polymer one-piece | locking



Width Index	Standard	Part No. full set with tiewrap plates	Part No. full set without tiewrap plates	Dim. A [mm]	Dim. B [mm]	Number of teeth
1.	▶	101.12PZ	101.12P	-	26	2
2.	▶	102.12PZ	102.12P	10	36	3



Part No. structure

101. 12 PZ A4	A...must be indicated on preassembled configurations
	With strain relief tiewrap plates
	Full set locking
	Mounting bracket for selected width index