

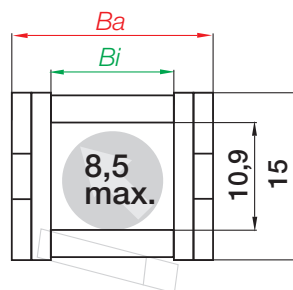
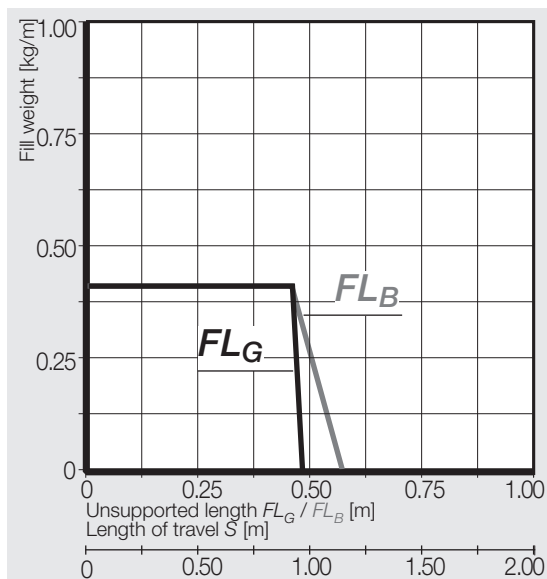
## Series 074 | One-piece, snap-open along inner radius with film-hinge

Snap-open along inner radius	<i>Bi</i> [mm]	<i>Ba</i> [mm]	<i>R</i> Bending radii [mm]	Weight [kg/m]
074. 10 .R.0	10	16,3	018   028   038	≈ 0,15
074. 16 .R.0	16	22,3	018   028   038	≈ 0,16
074. 20 .R.0	20	26,3	018   028   038	≈ 0,17
074. 30 .R.0*	30	36,3	018   028   038	≈ 0,20
074. 40 .R.0*	40	46,3	018   028   038	≈ 0,23

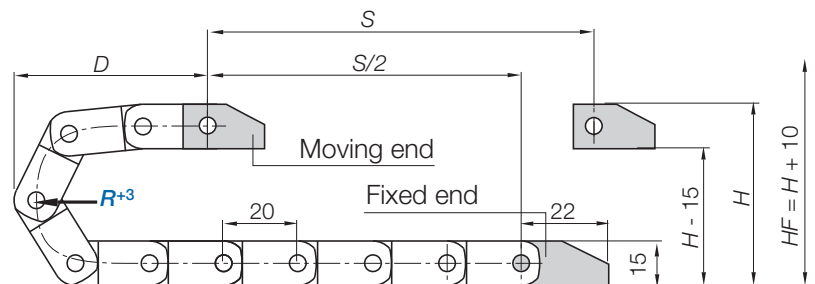
\*Width available upon request, please consult igus® for delivery time

Supplement Part No. with required radius (*R*). Example: 074.10.018.0

## Dimensions



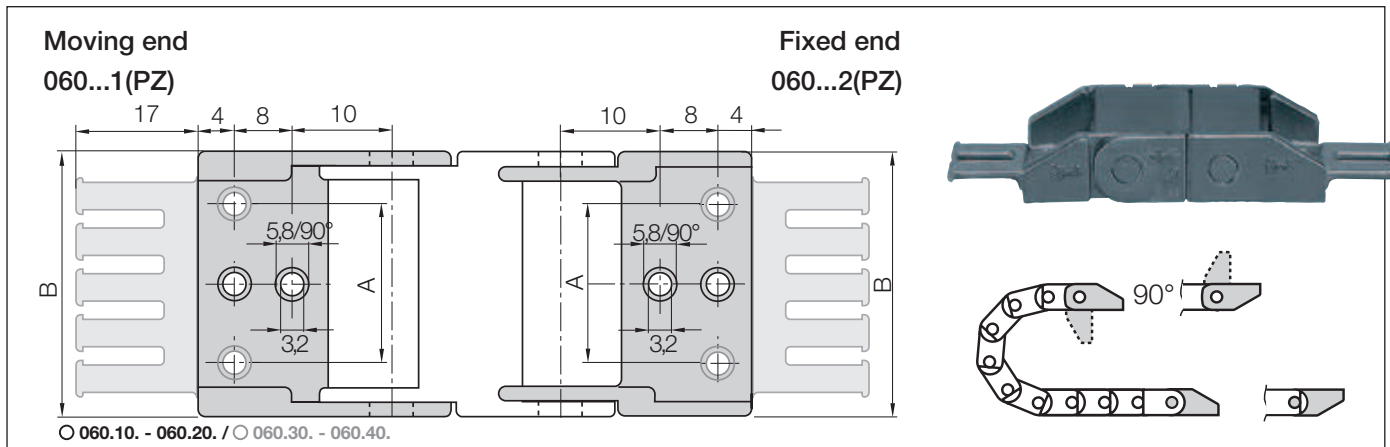
Inner height 10,9 mm  
 Pitch 20 mm/link  
 Links/m 50 (1000 mm)  
 Chain length  $S/2 + K$



<i>R</i>	018	028	038
<i>H</i>	51	71	91
<i>D</i>	56	66	76
<i>K</i>	100	130	160

The required clearance height:  $H_F = H + 10$  mm (with 0,2 kg/m fill weight)

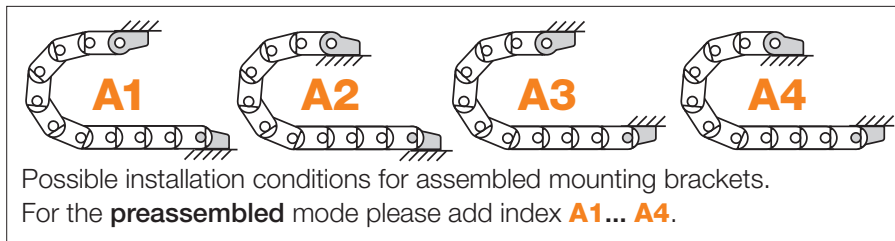
Mounting brackets, polymer one-piece | locking | More features ► [www.igus.eu/074](http://www.igus.eu/074)



Width Index	Standard	Part No. full set with tie-wrap plates	Part No. full set without tie-wrap plates	Dim. A [mm]	Dim. B [mm]	Number of teeth
.10.	►	<b>060.10. 12PZ</b>	<b>060.10. 12</b>	–	16,5	1
.16.	►	<b>060.16. 12PZ</b>	<b>060.16. 12</b>	–	22,5	2
.20.	►	<b>060.20. 12PZ</b>	<b>060.20. 12</b>	–	27	2
.30.	►	<b>060.30. 12PZ*</b>	<b>060.30. 12*</b>	22	37	3
.40.	►	<b>060.40. 12PZ*</b>	<b>060.40. 12*</b>	32	47	4

\*Width available upon request, please consult igus® for delivery time

○ Drilling pattern for width index: **060.10. - 060.20.** center bores only / ○ **060.30. - 060.40.** outer bores only (see figure above)



### Part No. structure

**060.10. 12 PZ A1** A... must be indicated on preassembled configurations

- With strain relief tie-wrap plates
- Full set** Mounting bracket for selected width index