

Vacuum pump MINI L28, conn. C, NBR sealings, non-return valve, 0102750



- Large vacuum flows
- Small size and low weight
- Good for handling porous materials or if leakage is present
- Available with connection plate in aluminium (B1) and composite PA (B, C)

General

Material	ABS, PA, POM, SS, Nitrile (NBR)
Noise level	57 – 68 dBA
Temperature	-20 – 80 °C
Weight	60 – 74 g

Performance

Feed pressure, max.	0.7 MPa
---------------------	---------

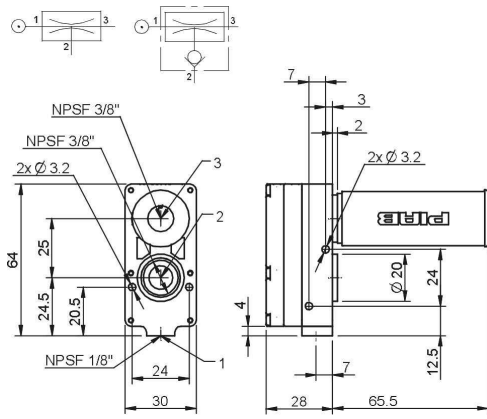
Vacuum flow

Feed pressure MPa	Air consumption NI/s	Vacuum flow (NI/s) at different vacuum levels (-kPa)										Max vacuum -kPa
		0	10	20	30	40	50	60	70			
0.6	2	2.6	1.7	1.1	0.89	0.74	0.55	0.36	0.17	75		

Evacuation time

Feed pressure MPa	Air consumption NI/s	Evacuation time (s/l) to reach different vacuum levels (-kPa)									Max vacuum -kPa
		10	20	30	40	50	60	70			
0.6	2	0.047	0.11	0.2	0.32	0.46	0.69	1.1	75		

Dimensional drawings



Values specified in the data sheet are tested at:

Room temperature	(20°C [68°F] ± 3°C [5.5°F])
Standard atmosphere	(101.3 [29.9 inHg] ± 1.0 kPa [0.3 inHg])
Relative humidity	0-100%
Compressed air quality	DIN ISO 8573-1 class 4

Spare parts

	Item no.
Sealing kit MINI 5-28, NBR	3201097
Sealing kit MINI 5-28, EPDM	3201097E
Sealing kit MINI 5-28, Viton®	3201097V