

# Vacuum pump MINI L14, conn. C, NBR sealings, 0102743



- Large vacuum flows
- Small size and low weight
- Good for handling porous materials or if leakage is present
- Available with connection plate in aluminium (B1) and composite PA (B, C)

## General

Material	ABS, PA, POM, SS, Al, Nitrile (NBR)
Noise level	57 – 68 dBA
Temperature	-20 – 80 °C
Weight	35 – 60 g

## Performance

Feed pressure, max.	0.7 MPa
---------------------	---------

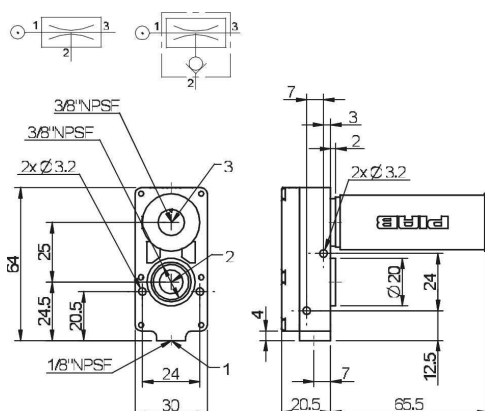
## Vacuum flow

Feed pressure MPa	Air consumption NI/s	Vacuum flow (NI/s) at different vacuum levels (-kPa)									Max vacuum -kPa
		0	10	20	30	40	50	60	70	75	
0.6	0.98	1.5	1	0.57	0.45	0.39	0.32	0.24	0.13	75	

## Evacuation time

Feed pressure MPa	Air consumption NI/s	Evacuation time (s/l) to reach different vacuum levels (-kPa)									Max vacuum -kPa
		10	20	30	40	50	60	70	75		
0.6	0.98	0.064	0.17	0.36	0.59	0.88	1.3	1.8	75		

## Dimensional drawings



**Values specified in the data sheet are tested at:**

Room temperature	(20°C [68°F] ± 3°C [5.5°F])
Standard atmosphere	(101.3 [29.9 inHg] ± 1.0 kPa [0.3 inHg])
Relative humidity	0-100%
Compressed air quality	DIN ISO 8573-1 class 4

**Spare parts**

	Item no.
Sealing kit MINI 5-28, NBR	3201097
Sealing kit MINI 5-28, EPDM	3201097E
Sealing kit MINI 5-28, Viton®	3201097V