

Bellows suction cup S.B40T81.NS518F.00



- ▶ The lifting movement can be used to separate small and thin objects.
- ▶ Only lightweight objects should be handled when the lifting force is parallel to the surface of the object, in order to achieve good precision and safe lifting movement.
- ▶ Suitable for level adjustment.
- ▶ Suction cup of TPU, a mark free material that leaves no trace on the object being handled.

Lifting force

Description	Vertical			Parallel		
	20 -kPa	60 -kPa	90 -kPa	20 -kPa	60 -kPa	90 -kPa
Lifting forces	18.0 N	57.0 N	72.0 N	13.6 N	40.0 N	47.0 N

Technical data

Description	Unit	Value
Internal volume	cm ³	15.0
Weight	g	32
Min. curve radius -60 kPa	mm	22.0
Max. vertical movement	mm	12.5
Application	-	Glass handling, Mark Free,
Material	-	Thermoelastic Polyurethane, (TPE-U)
Colour	-	Transparent
Suction cup model	-	B-MF
Suction cup shape	-	Bellows
Hardness °Shore A	-	81 °Shore A
Temperature range (°C)	°C	-20 – 80
Actuated outer diameter, Max	mm	48.0

Fitting specification

Description	Value
Fitting size	5x1/8"
Fitting style	Female
Fitting type	NPSF-Thread
Fitting material	PPS, AI, NBR
Fitting option	None

Material resistance , Thermoelastic polyurethane, TPU

Description	Value
Alcohol	Good
Concentrated Acids	Poor
Ethanol	N/A
Hydrolysis	Good
Methanol	N/A

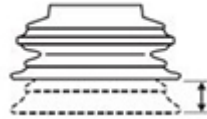
Oil	Fair
Oxidation	Good
Petrol	Fair
Wear Resistance	Excellent
Weather & Ozone	Good

Values specified in data sheet are tested at:

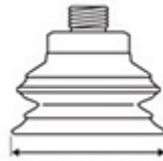
- Room temperature (20°C [68°F] ± 3°C [5.5°F]).
- Standard atmosphere (101.3 [29.9 inHg] ± 1.0 kPa [0.3 inHg]).
- Relative humidity 20-70%.
- Compressed air quality, DIN ISO 8573-1 class 4.



Internal volume



Max. vertical movement

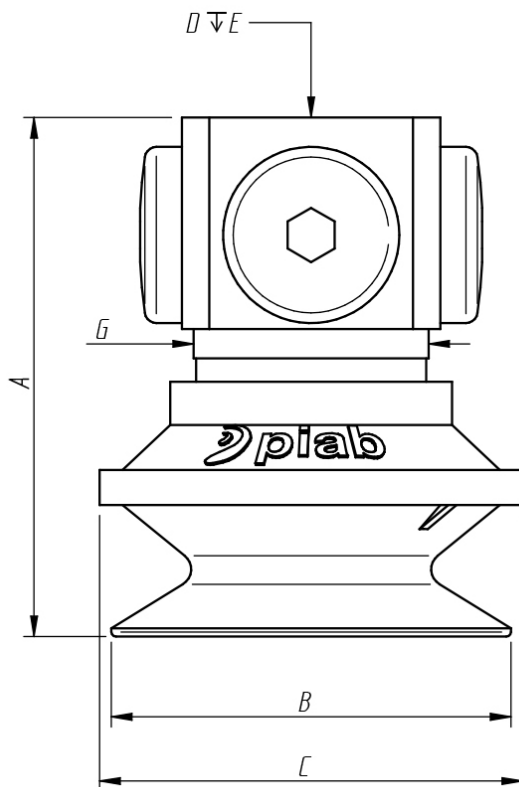


Diameter (lip)



Min. curve radius -60 kPa

Dimensional drawing



Product code	Description	Unit	Value
A	Building height	mm [inch]	46.0 [1.81"]
B	Diameter (lip)	mm [inch]	42.0 [1.65"]
C	Diameter (bellows)	mm [inch]	45.0 [1.77"]
D	Thread	-	5xNPSF 1/8"
E	Thread height	mm [inch]	7.0 [0.28"]
G	Diameter (upper part cup)	mm [inch]	20.0 [0.79"]

Ordering information

Description	Product code
Bellows suction cup , Ø 40mm, Thermoelastic polyurethane, TPU, 81 °Shore A, NPSF-Thread, 5x1/8", Female, None	S.B40T81.NS518F.00

Ordering information, spare parts

Description	Art. No.
Fitting 5x1/8" NPSF female, 30–40	0100261
Suction cup B40MF Thermoelastic polyurethane	0101113

Ordering information, accessories

Description	Art. No.
Fitting 1/8" NPSF female, 30–40	3250005
Fitting 1/8" NPSF female, 30–40, with mesh filter	0101153
Fitting 1/8" NPSF female, 30–40, with dual flow control valve	3251006
Fitting 1/8" NPSF female, 30–40, with cone valve	0101156
Fitting 1/8" NPSF female, 30–40, PA	3150197
Fitting G1/4" male, 30–40, with mesh filter	3250091
Fitting G1/4" male, 30–40, with mesh filter and dual flow control valve	3251007
Fitting G3/8" male, 30–40, with mesh filter	3250086
Fitting G3/8" male, 30–40, with mesh and dual flow control valve	3251009
Fitting 5x1/8" NPSF female, 30–40, with dual flow control valve	3251011
Fitting 1/4" NPT male, with mesh filter	3250093
Fitting 1/4" NPT male, with dual flow control valve	3251008
Fitting 3/8" NPT male, with mesh filter	3250089
Fitting 3/8" NPT male, with dual flow control valve	3251010
Fitting G1/8" male, 40, with mesh filter	0200714
Suction cup B40 Chloroprene	0101105
Suction cup B40 Silicone	0101106
Suction cup B40 HNBR	0108081
Suction cup B40 Silicone FCM	0200408